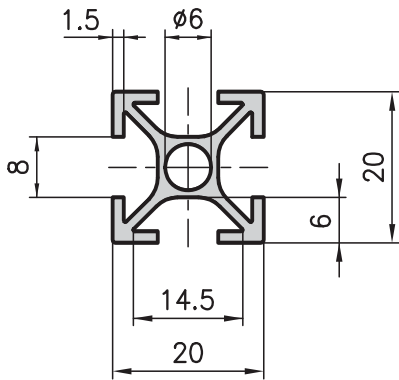


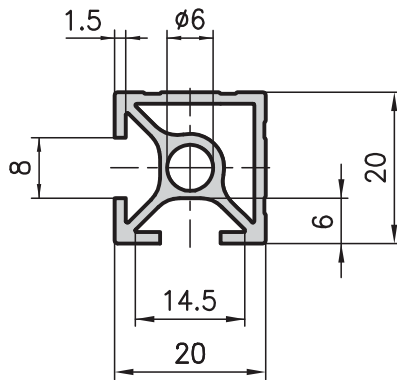
20x20 base extrusion type D01-5



Application

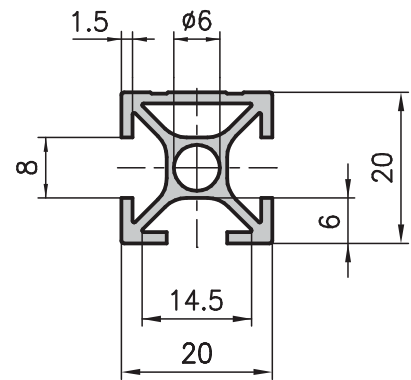
Due to their relatively low weight and strength this 20x20/40 range of extrusions can only be used for small loads, such as limit switches fixtures, smart work frames, small display cases, etc.

20x20 corner extrusion type D01-3

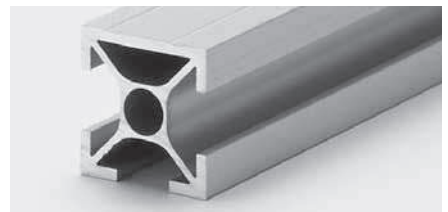
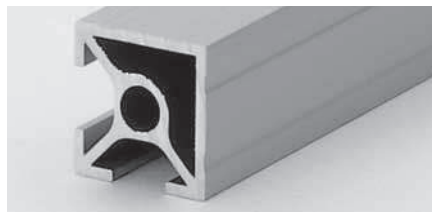
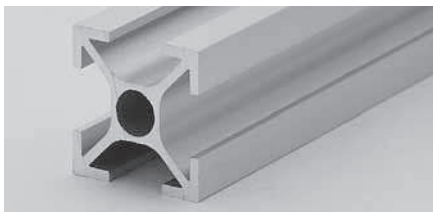
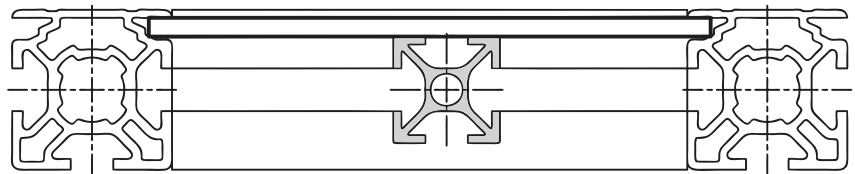


Helicoil inserts (DIN 8140) can be used for all extrusions with a core hole of Ø6 See machining code H3/H4.

20x20 face extrusion type D01-8



The 20x20 and 20x40 extrusions are also suitable as a support or reinforcement extrusion behind panels, which is in combination with the base 30 extrusion with panel slots (see sketch).



Technical data

$I_{x,y}$	=	0.60 cm ⁴
$W_{x,y}$	=	0.60 cm ³
Cross-section area	=	1.40 cm ²
Weight	=	0.38 kg/m

Technical data

$I_{x,y}$	=	0.65 cm ⁴
$W_{x,y}$	=	0.65 cm ³
Cross-section area	=	1.54 cm ²
Weight	=	0.42 kg/m

Technical data

I_x	=	0.68 cm ⁴
I_y	=	0.59 cm ⁴
W_x	=	0.68 cm ³
W_y	=	0.59 cm ³
Cross-section area	=	1.46 cm ²
Weight	=	0.39 kg/m

Order data Order number

20x20 base extrusion	
Standard length 5000 mm	D01-5-00/5000
20x20 base extrusion	
Cut to length	D01-5-02-02/...
Extra machining	Pages 55-59

Order data Order number

20x20 corner extrusion	
Standard length 5000 mm	D01-3-00/5000
20x20 corner extrusion	
Cut to length	D01-3-02-02/...
Extra machining	Pages 55-59

Order data Order number

20x20 face extrusion	
Standard length 5000 mm	D01-8-00/5000
20x20 face extrusion	
Cut to length	D01-8-02-02/...
Extra machining	Pages 55-59