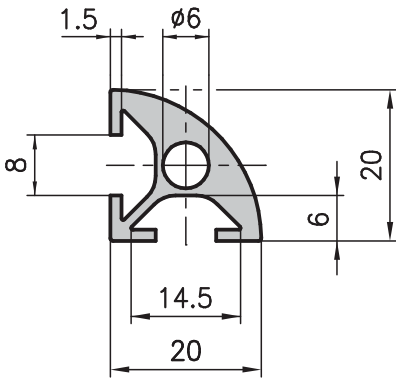
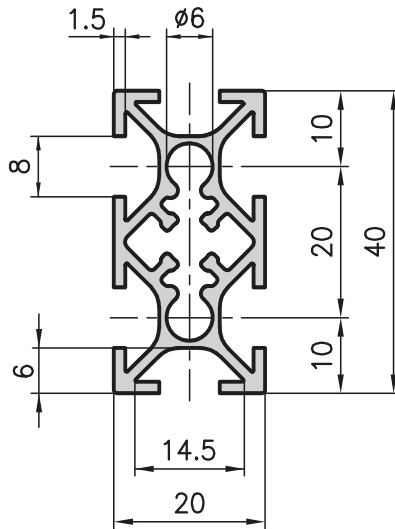


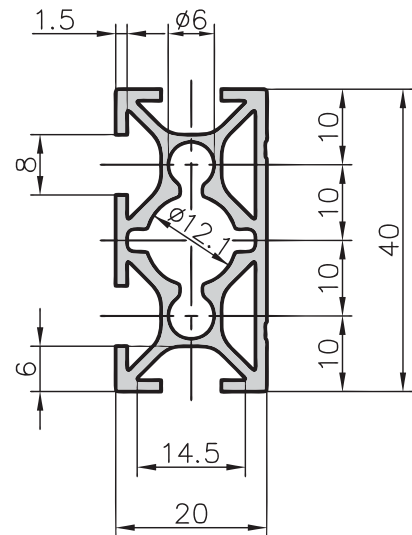
### 20x20 Softline extrusion type D03-8



### 20x40 base extrusion type D01-7

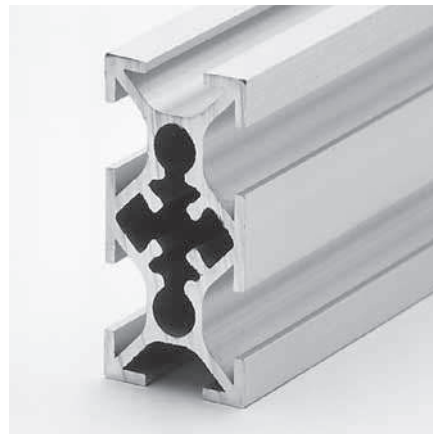


### 20x40 face extrusion type D02-8



#### Application

For small picture frames as well as for decorative application.



#### Application

A multi purpose extrusion, which is easily compatible with the base 40. The center hole is  $\varnothing 12.1$  so that the bigger connectors can also be used, making application possibilities even more versatile.

#### Technical data

$I_{x, y}$	=	0.47 cm <sup>4</sup>
$W_{x, y}$	=	0.47 cm <sup>3</sup>
Cross-section area	=	1.29 cm <sup>2</sup>
Weight	=	0.35 kg/m

#### Technical data

$I_x$	=	3.91 cm <sup>4</sup>
$I_y$	=	1.10 cm <sup>4</sup>
$W_x$	=	1.95 cm <sup>3</sup>
$W_y$	=	1.10 cm <sup>3</sup>
Cross-section area	=	2.69 cm <sup>2</sup>
Weight	=	0.73 kg/m

#### Technical data

$I_x$	=	4.15 cm <sup>4</sup>
$I_y$	=	1.26 cm <sup>4</sup>
$W_x$	=	2.07 cm <sup>3</sup>
$W_y$	=	1.18 cm <sup>3</sup>
Cross-section area	=	2.79 cm <sup>2</sup>
Weight	=	0.75 kg/m

#### Order data

#### Order number

20x20 Softline extrusion	
Standard length 5000 mm	D03-8-00/5000
20x20 Softline extrusion	
Cut to length	D03-8-02-02/...
Extra machining	Pages 55-59

#### Order data

#### Order number

20x40 base extrusion	
Standard length 5000 mm	D01-7-00/5000
20x40 base extrusion	
Cut to length	D01-7-02-02/...
Extra machining	Pages 55-59

#### Order data

#### Order number

20x40 face extrusion	
Standard length 5000 mm	D02-8-00/5000
20x40 face extrusion	
Cut to length	D02-8-02-02/...
Extra machining	Pages 55-59