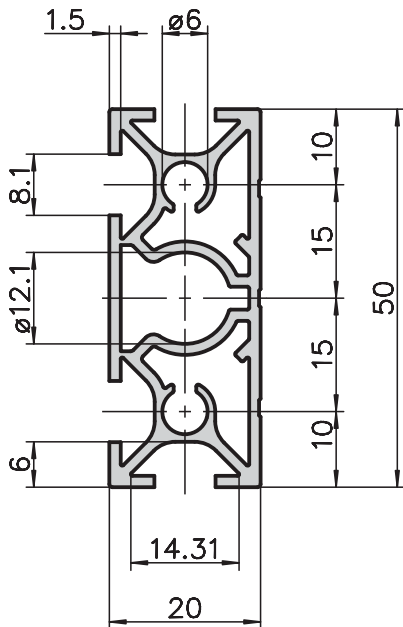
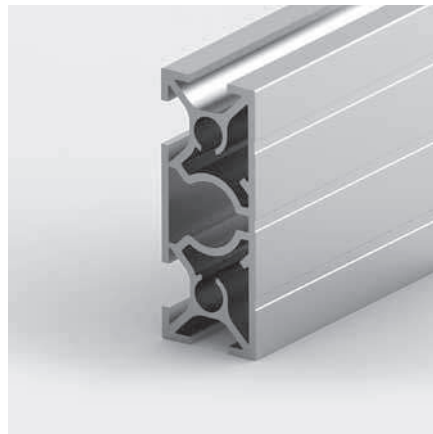


Face extrusion 20x50 type D02-5



Application

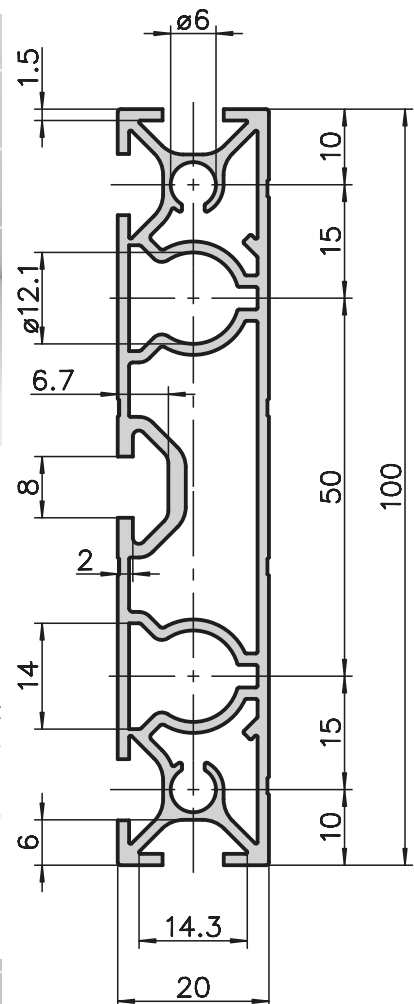
With this combination extrusion 20x50mm, the 20 series extrusion cross-sections can be easily connected to the 50 series ones. The large centre allows a connector of the 20 base with $\phi 12.1$ to be fitted



Application

This 20x100mm extrusion is lightweight and nevertheless very sturdy when positioned on its edge. Used in the construction of apparatus racks if closed faces are required. Can also be used as skirting boards along passages.

Face extrusion 20x100 type D02-1

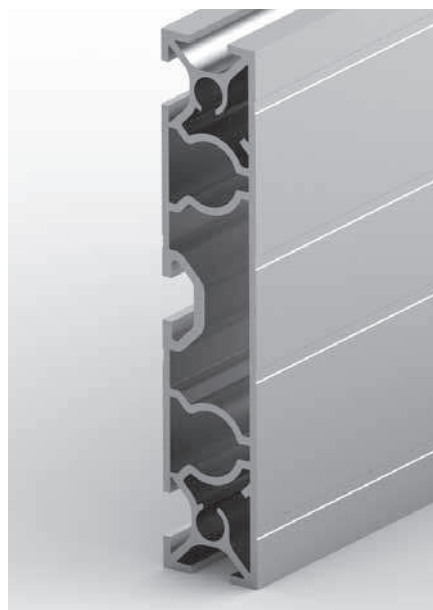


Technical data

I_x	=	7.71 cm ⁴
I_y	=	1.58 cm ⁴
W_x	=	3.08 cm ³
W_y	=	1.58 cm ³
Cross-section area	=	3.25 cm ²
Weight	=	0.88 kg/m

Order data Order number

Face extrusion 20x100	
Standard length 5000 mm	D02-1-00/5000
Face extrusion 20x100	
Cut to length	D02-1-02-02/...
Extra machining	Pages 55-59



Technical data

I_x	=	55.5 cm ⁴
I_y	=	3.01 cm ⁴
W_x	=	11.1 cm ³
W_y	=	3.01 cm ³
Cross-section area	=	5.7 cm ²
Weight	=	1.55 kg/m

Order data Order number

Face extrusion 20x50mm	
Standard length 5000 mm	D02-5-00/5000
Face extrusion 20x50mm	
Cut to length	D02-5-02-02/...
Extra machining	Pages 55-59