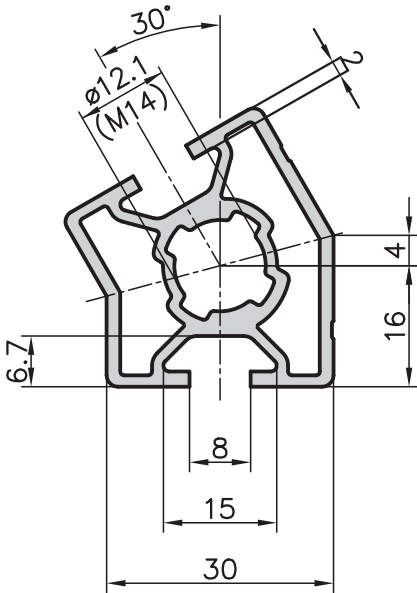
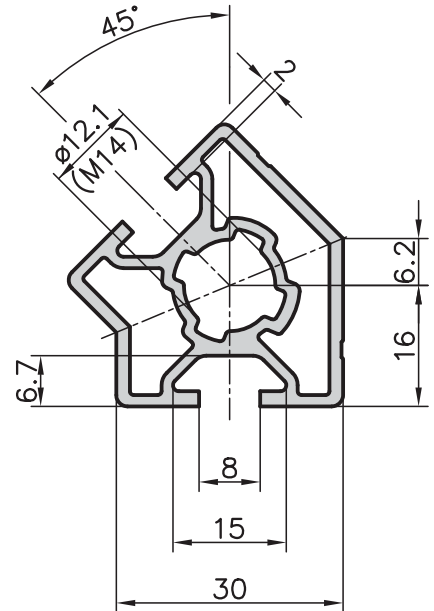


Corner extrusion 30° type B04-3

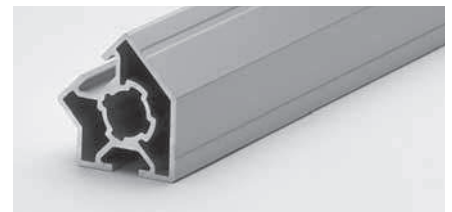
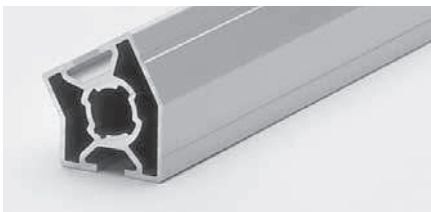


Corner extrusion 45° type B04-4



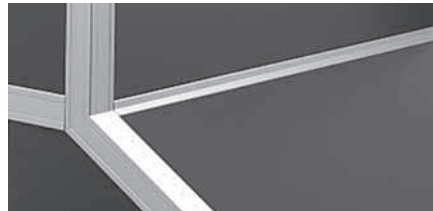
Application

For stands, tables, safety guards or display cabinets with sloping surfaces or for any angled construction. This group of extrusions ensures elegant shapes.



Technical data

I_x	=	3.23 cm ⁴
I_y	=	2.89 cm ⁴
W_x	=	1.54 cm ³
W_y	=	1.48 cm ³
Cross-section area	=	3.13 cm ²
Weight	=	0.9 kg/m



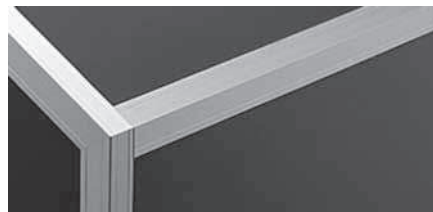
Technical data

I_x	=	3.14 cm ⁴
I_y	=	2.91 cm ⁴
W_x	=	1.44 cm ³
W_y	=	1.45 cm ³
Cross-section area	=	3.13 cm ²
Weight	=	0.9 kg/m

Order data

Order number

Corner extrusion 30° Standard length 5000 mm	B04-3-00/5000
Corner extrusion 30° Cut to length	B04-3-02-02/...
Extra machining	Pages 55-59



Order data

Order number

Corner extrusion 45° Standard length 5000 mm	B04-4-00/5000
Corner extrusion 45° Cut to length	B04-4-02-02/...
Extra machining	Pages 55-59