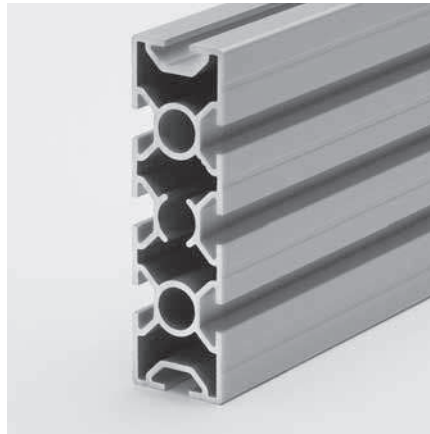
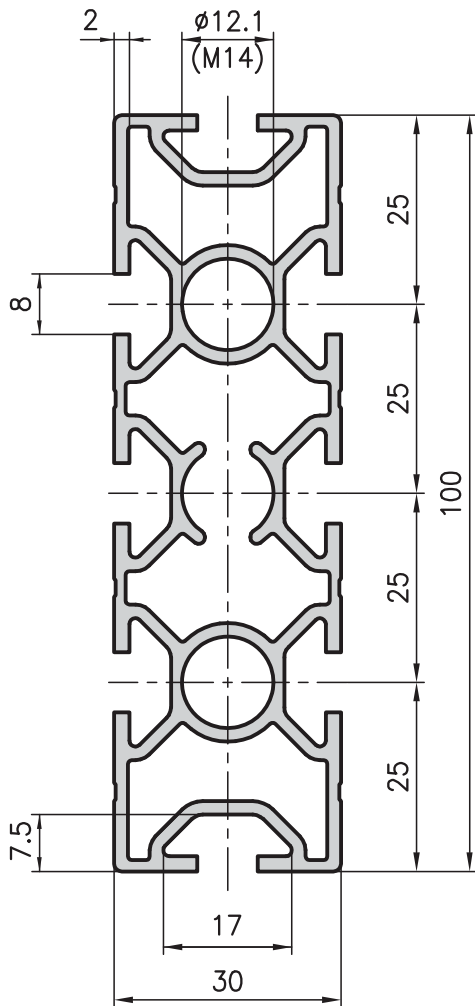


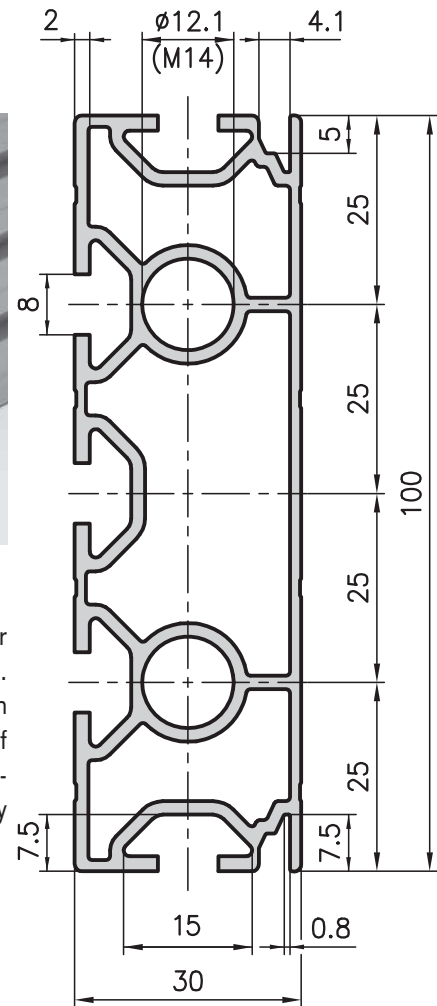
30x100 base extrusion type MB1-2



Application

For cross-beams on base frames, conveyor belts, trolleys or for large areas of panelling. This versatile extrusion can also be used in combination with extrusions with a base of 40 or 50 mm. A lightweight, sturdy extrusion which can be connected in many different configurations.

30x100 face extrusion with panel slots type B01-2

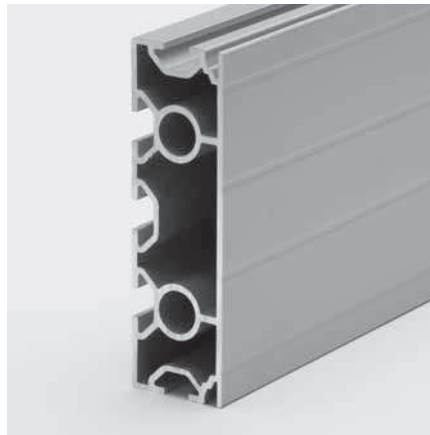


Technical data

I_x	=	80.77 cm ⁴
I_y	=	8.95 cm ⁴
W_x	=	16.15 cm ³
W_y	=	5.97 cm ³
Cross-section area	=	8.59 cm ²
Weight	=	2.3 kg/m

Order data Order number

30x100 base extrusion	
Standard length 5000 mm	MB1-2-00/5000
30x100 base extrusion	
Cut to length	MB1-2-02-02/...
Extra machining	Pages 55-59



Technical data

I_x	=	77.86 cm ⁴
I_y	=	8.79 cm ⁴
W_x	=	15.57 cm ³
W_y	=	5.72 cm ³
Cross-section area	=	7.72 cm ²
Weight	=	2.1 kg/m

Order data Order number

30x100 face enclosure extrusion	
Standard length 5000 mm	B01-2-00/5000
30x100 face enclosure extrusion	
Cut to length	B01-2-02-02/...
Extra machining	Pages 55-59