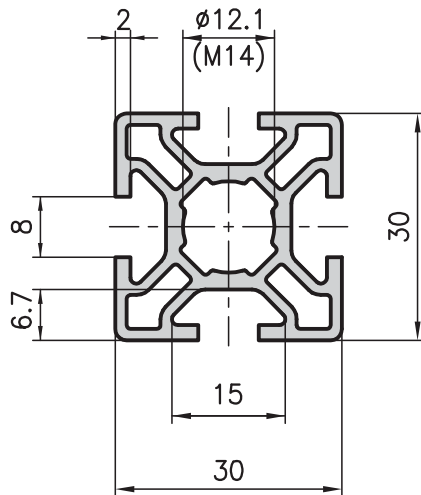
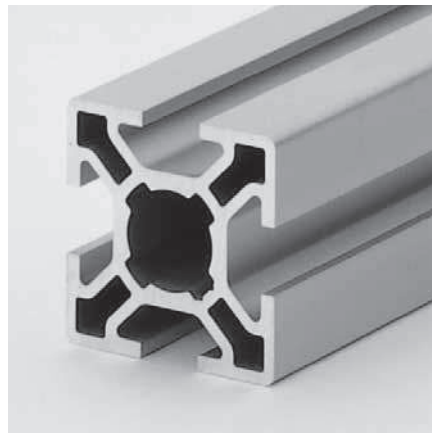


### Lightweight extrusion 30x30 type B02-1



#### Application

With slots on all sides, this universally used lightweight extrusion is optimally constructed with regard to weight and strength. For lightweight enclosures and other small constructions, this is an inexpensive and sturdy extrusion.



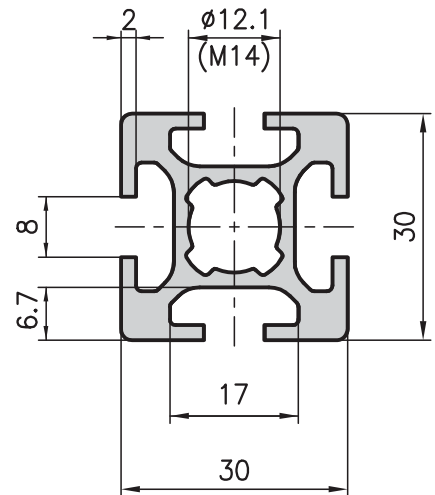
#### Technical data

$I_{x,y}$	=	2.95 cm <sup>4</sup>
$W_{x,y}$	=	1.97 cm <sup>3</sup>
Cross-section area	=	3.27 cm <sup>2</sup>
Weight	=	0.9 kg/m

#### Order data      Order number

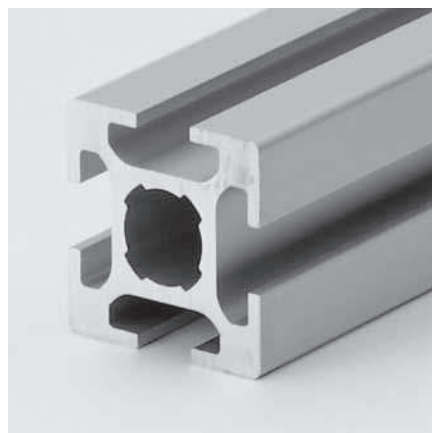
Lightweight extrusion 30x30	
Standard length 5000 mm	B02-1-00/5000
Lightweight extrusion 30x30	
Cut to length	B02-1-02-02/...
Extra machining	Pages 55-59

### Heavy duty extrusion 30x30 type MB1-1



#### Application

The counterpart to the lightweight extrusion. It gives the designer plenty of scope for designing: trolleys, machine frames, load-bearing structures, etc.



#### Technical data

$I_{x,y}$	=	3.82 cm <sup>4</sup>
$W_{x,y}$	=	2.54 cm <sup>3</sup>
Cross-section area	=	4.10 cm <sup>2</sup>
Weight	=	1.1 kg/m

#### Order data      Order number

Heavy duty extrusion 30x30	
Standard length 5000 mm	MB1-1-00/5000
Heavy duty extrusion 30x30	
Cut to length	MB1-1-02-02/...
Extra machining	Pages 55-59