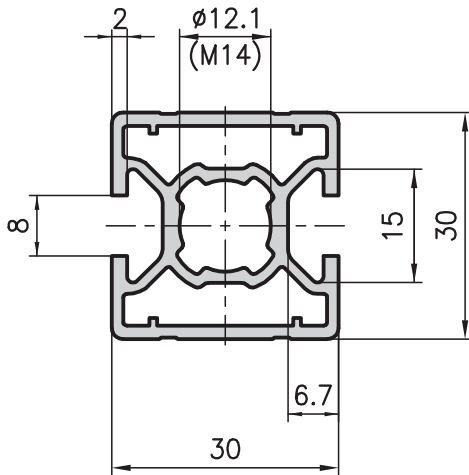
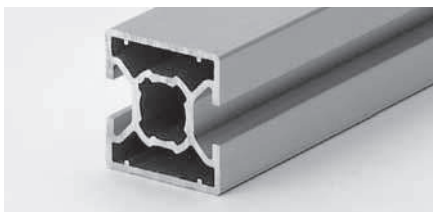


30x30 double face extrusion type B02-4



Application

For all types of enclosure, as well as for structures with extrusion faces which are mainly closed and for applications with an attractive design.



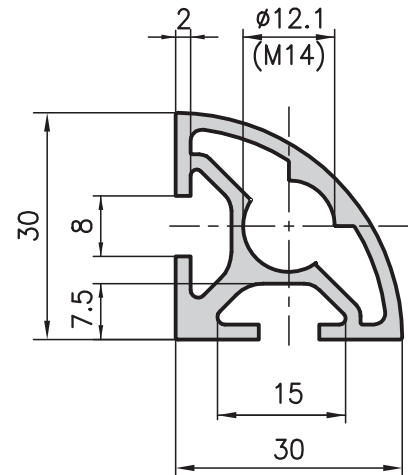
Technical data

I_x	=	2.73 cm ⁴
I_y	=	2.74 cm ⁴
W_x	=	1.82 cm ³
W_y	=	1.83 cm ³
Cross-section area	=	2.91 cm ²
Weight	=	0.8 kg/m

Order data Order number

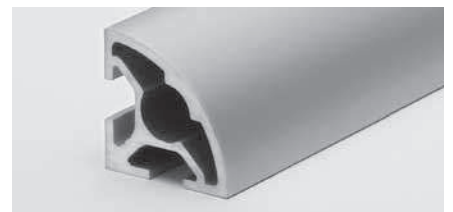
30x30 double face extrusion	
Standard length 5000 mm	B02-4-00/5000
30x30 double face extrusion	
Cut to length	B02-4-02-02/...
Extra machining	Pages 55-59

30x30 softline extrusion type B01-8



Application

This extrusion is used to build furniture, display cases and other objects without obtrusive sharp edges.



Technical data

$I_{x,y}$	=	2.57 cm ⁴
$W_{x,y}$	=	2.02 cm ³
Cross-section area	=	2.91 cm ²
Weight	=	0.8 kg/m

Order data Order number

30x30 softline extrusion	
Standard length 5000 mm	B01-8-00/5000
30x30 softline extrusion	
Cut to length	B01-8-02-02/...
Extra machining	Pages 55-59