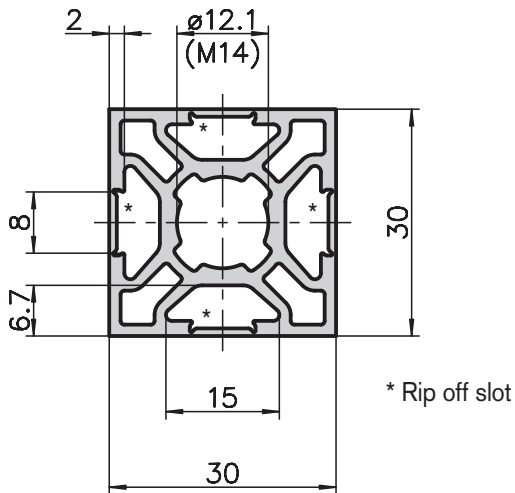
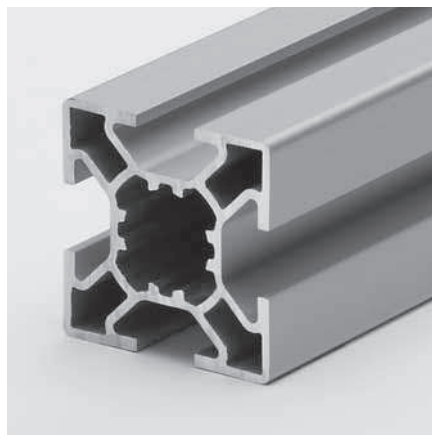
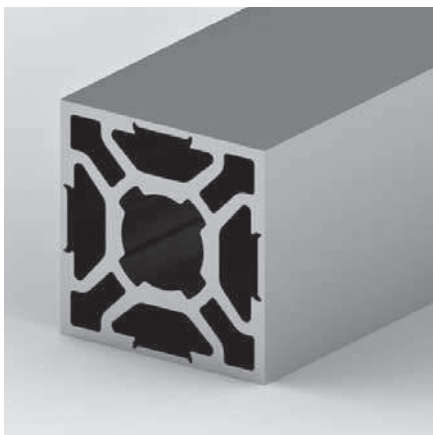
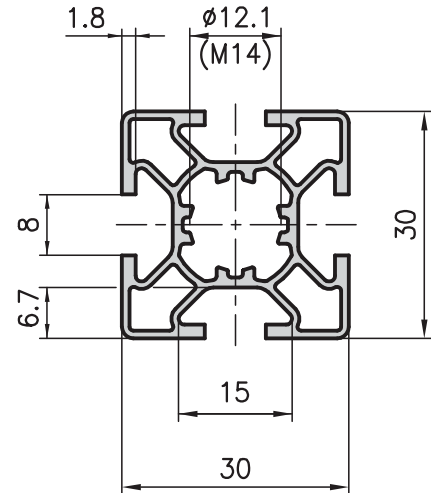


Four sided softline extrusion 30x30 type B10-0



Super lightweight extrusion 30x30 type B03-1



Application

These extrusions, which are lightweight and inexpensive, are nonetheless very sturdy and can be universally used for simpler structural designs. Outer casings, safety guards, laboratory rigs and smaller frameworks are all easy to construct using them.

Technical data

$I_{x,y}$	=	3.30 cm ⁴
$W_{x,y}$	=	2.20 cm ³
Cross-section area	=	3.57 cm ²
Weight	=	0.96 kg/m

Technical data

$I_{x,y}$	=	2.63 cm ⁴
$W_{x,y}$	=	1.76 cm ³
Cross-section area	=	2.62 cm ²
Weight	=	0.7 kg/m

Order data Order number

Four sided softline extrusion 30x30	
Standard length 5000 mm	B10-0-00/5000
Four sided softline extrusion 30x30	
Cut to length	B10-0-02-02/...
Extra machining	Pages 55-59

Order data Order number

Super lightweight extrusion 30x30	
Standard length 5000 mm	B03-1-00/5000
Super lightweight extrusion 30x30	
Cut to length	B03-1-02-02/...
Extra machining	Pages 55-59