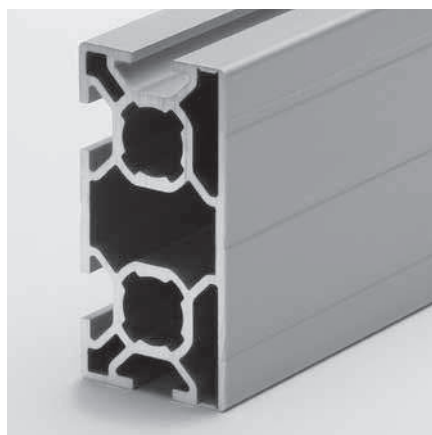
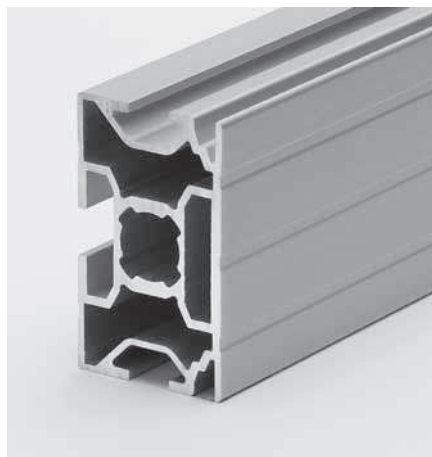
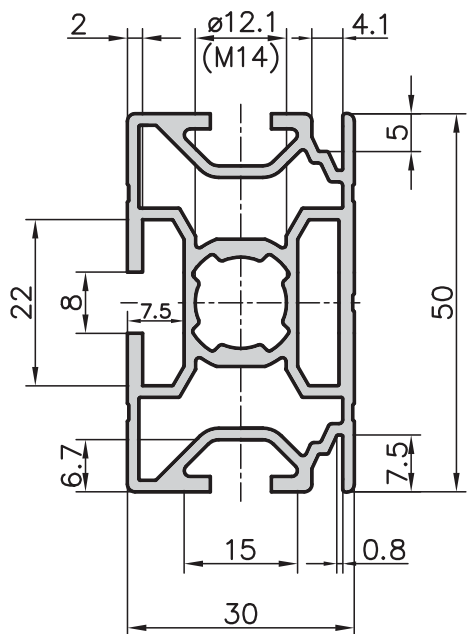


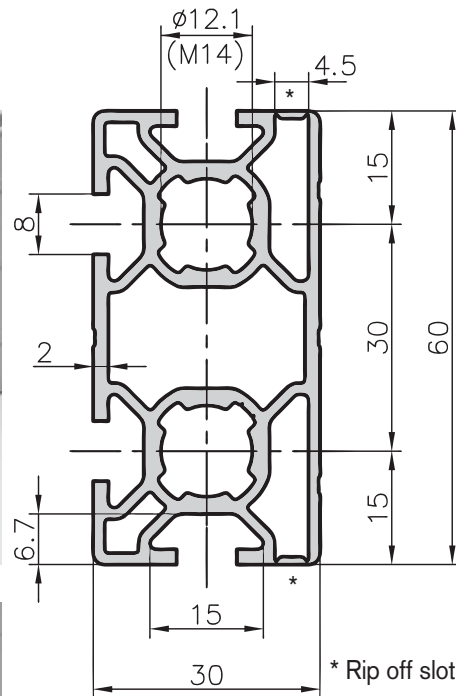
30x50 face extrusion with panel slots type MB1-9



Application

The narrow slots hold panels measuring up to 4 mm in thickness securely and firmly in place. Therefore, this extrusion is ideal in any application where covers and cladding of various types are being fitted.

30x60 face extrusion with panel slots type B03-6



Application

With the same function as the extrusion type MB1-9 but with the difference being that the small slots have to be opened if they are required.

Technical data

I_x	=	11.25 cm ⁴
I_y	=	4.84 cm ⁴
W_x	=	4.50 cm ³
W_y	=	3.23 cm ³
Cross-section area	=	5.00 cm ²
Weight	=	1.3 kg/m

Order data Order number

30x50 face extrusion with panel slots	
Standard length 5000 mm	MB1-9-00/5000
30x50 face extrusion with panel slots	
Cut to length	MB1-9-02-02/...
Extra machining	Pages 55-59

Technical data

I_x	=	19.33 cm ⁴
I_y	=	5.43 cm ⁴
W_x	=	6.44 cm ³
W_y	=	3.60 cm ³
Cross-section area	=	5.48 cm ²
Weight	=	1.5 kg/m

Order data Order number

30x60 face extrusion with panel slots	
Standard length 5000 mm	B03-6-00/5000
30x60 face extrusion with panel slots	
Cut to length	B03-6-02-02/...
Extra machining	Pages 55-59

