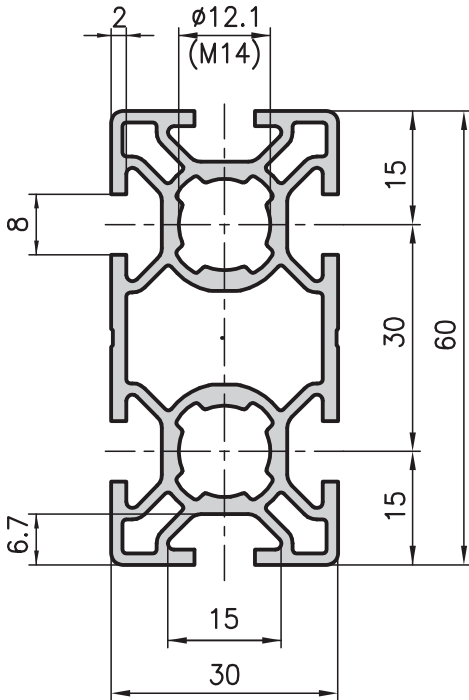
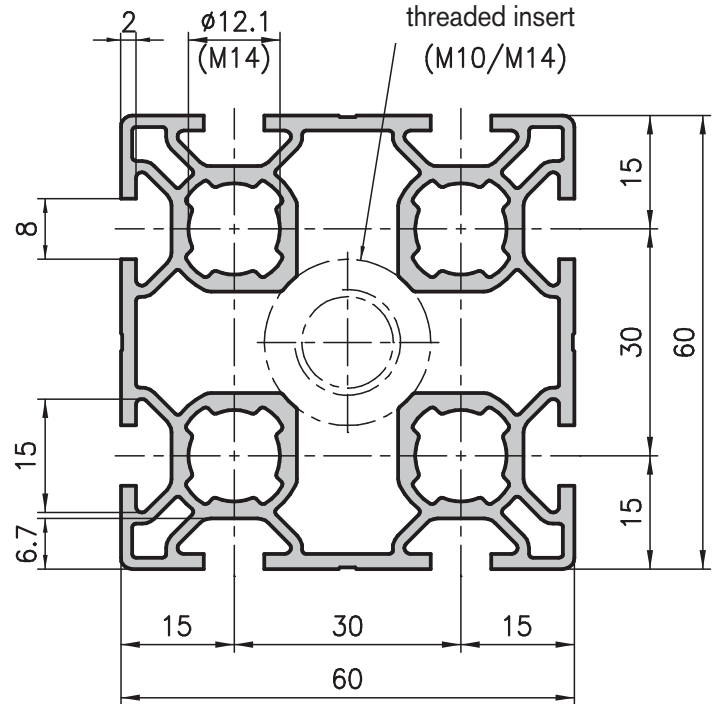


30x60 base extrusion type B01-6

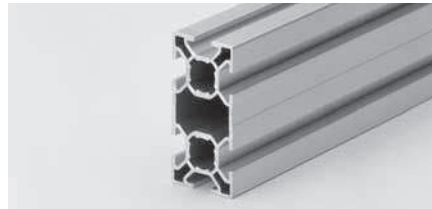


60x60 base extrusion type B02-6



Application

Ideally suited for use as a cross-beam or for building lightweight conveyor belts. A versatile extrusion for many applications.



Application

Mainly used as a brace. Levelling feet and castors can be attached using the threaded inserts B33-60 or B33-64.

Technical data

I_x	=	20.52 cm ⁴
I_y	=	5.20 cm ⁴
W_x	=	6.84 cm ³
W_y	=	3.47 cm ³
Cross-section area	=	5.47 cm ²
Weight	=	1.5 kg/m

Order data Order number

30x60 base extrusion	
Standard length 5000 mm	B01-6-00/5000
30x60 base extrusion	
Cut to length	B01-6-02-02/...
Extra machining	Pages 55-59



Technical data

$I_{x,y}$	=	35.83 cm ⁴
$W_{x,y}$	=	11.94 cm ³
Cross-section area	=	9.04 cm ²
Weight	=	2.4 kg/m

Order data Order number

60x60 base extrusion	
Standard length 5000 mm	B02-6-00/5000
60x60 base extrusion	
Cut to length	B02-6-02-02/...
Insert M10	B33-60
Insert M14	B33-64
Extra machining	Pages 55-59