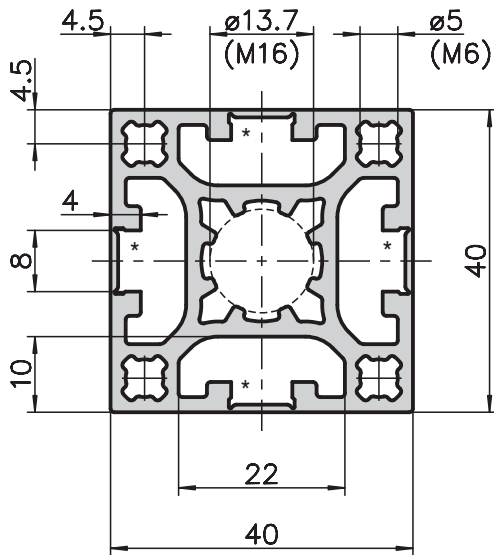
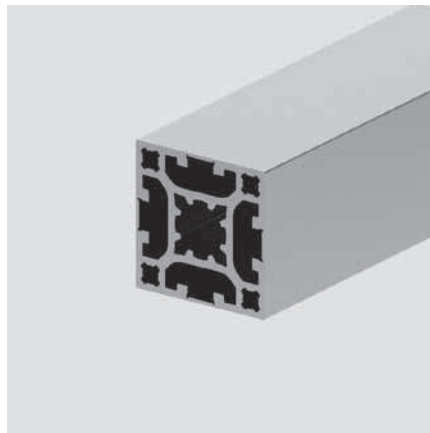


### Four sided softline extrusion 40x40 type C10-0



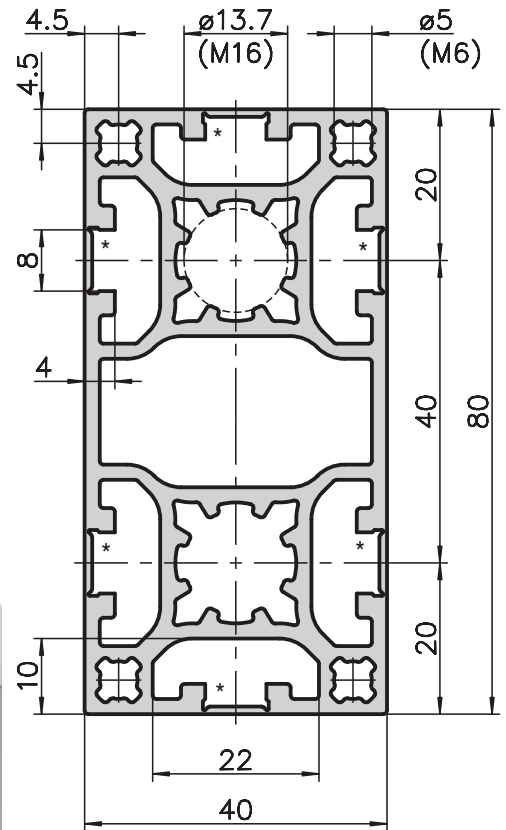
\* Rip off slot



#### Application

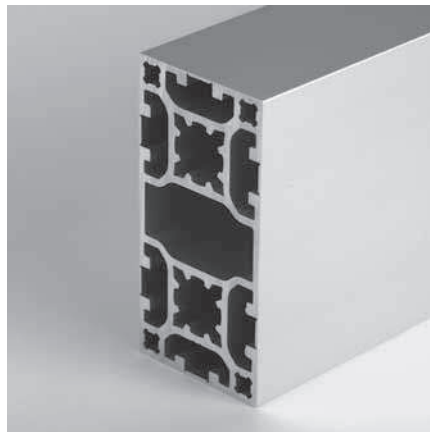
These extrusions are used in clean-room applications, in the food industry or anywhere where no open slots are to be found and where smooth surfaces are desired. Thanks to the rip off slots, all connection options are guaranteed.

### Four sided softline extrusion 40x80 type C10-3



#### Application

Same intended use as C10-0 but with greater stability because of the dimension 40x80mm.



#### Technical data

$I_{x,y}$	=	9.6 cm <sup>4</sup>
$W_{x,y}$	=	4.75 cm <sup>3</sup>
Cross-section area	=	5.97 cm <sup>2</sup>
Weight	=	1.6 kg/m

#### Order data

#### Order number

Four sided softline extrusion 40x40	
Standard length 5000 mm	C10-0-00/5000
Four sided softline extrusion 40x40	
Cut to length	C10-0-02-02/...
Extra machining	Pages 55-59

#### Technical data

$I_x$	=	69.73 cm <sup>4</sup>
$I_y$	=	18.52 cm <sup>4</sup>
$W_x$	=	17.43 cm <sup>3</sup>
$W_y$	=	9.26 cm <sup>3</sup>
Cross-section area	=	10.34 cm <sup>2</sup>
Weight	=	2.8 kg/m

#### Order data

#### Order number

Four sided softline extrusion 40x80	
Standard length 5000 mm	C10-3-00/5000
Four sided softline extrusion 40x80	
Cut to length	C10-3-02-02/...
Extra machining	Pages 55-59