



### Specifications

Max.vacuum level	-93kPa	
Max.vacuum flow rate	185l/m	
Air supply pressure	4-6bar Max.7bar	
Air supply pressure(opt)	ABX5-ABX20	4.5bar
	ABX30	5bar
Air supply type	Dry compressed air	
Working temperature	-20°C to +80°C	
Noise level	50-68dBA	

### Features

- ☆ These pumps are compact and low weight design. Because the pumps are too small they can be mounted locally to the vacuum requirement even directly onto the back of suction cups if required.
- ☆ They use a Multi Stage Ejector principal for generating the vacuum, provide large capacity vacuum flow combined with high grade plastic, making the pumps resilient to most hazardous vapours
- ☆ ABX has the same external dimensions to that of ABM however the internal ejector system is different to enable higher levels of vacuum to be achieved.
- ☆ The pump can have seal materials options of Viton® & EPDM for corrosive and acidic, applications.

### How to Order

#### ABX5 – B – V

① ② ③

① Model-Capacity equivalent to electricity motor pump size

ABX5	0.05kW
ABX10	0.10kW
ABX20	0.20kW
ABX30	0.30kW

② Air Supply, Vacuum, Exhaust Port

	Air Supply	Vacuum	Exhaust
A	M5-Φ6	G1/8"	Internal silencer
NA	M5-Φ6	NPSF1/8"	Internal silencer
B	G1/8"	G3/8"	Internal silencer
BA	G1/8"	G3/8"	Internal silencer connection plate-AL
NB	NPSF1/8"	NPSF3/8"	Internal silencer
NBA	NPSF1/8"	NPSF3/8"	Internal silencer connection plate-AL
C	G1/8"	G3/8"	External silencer
NC	NPSF1/8"	NPSF3/8"	External silencer

※ Standard pump model

ABX5-A, NA, B, BA, NB, NBA, C, NC ABX10-A, NA, B, BA, NB, NBA, C, NC ABX20-B, BA, NB, NBA, C, NC

ABX30-B, BA, NB, NBA, C, NC:

③ Sealing

No mark	Standard (NBR)
V	VITON
E	EPOM

### Technical Parameters

Model	Max.vacuum level (-kPa)	Max.vacuum flow (l/min)	Air consumption (l/min)	Noise level (dBA)	Min tube inner $\Phi$ (within 2m)		
					Air supply	Vacuum	Exhaust
ABX5	92	32	18-22	50-65	>2	>5	>8
ABX10		63	31-40	55-68	>2	>8	>10
ABX20		125	79-89	60-68	>4	>10	>12
ABX30		185	128-137	60-68	>6	>12	>15

※ Remarks: type weight= ABX5-A (B,BA,NBA,C,NC) :32.5g (38g,58g,58g,38g,38g)  
 ABX10-A (B,BA,NBA,C,NC) :32g (37.5g,57.5g,57.5g,37.5g,37.5g)  
 ABX20-B (BA,NB,NBA,C,NC) :50g (70g,70g,70g,50g,50g)  
 ABX30-B (BA,NB,NBA,C,NC) :62.5g (82.5g,82.5g,82.5g,62.5g,62.5g)

### Vacuum flow(l/min)at different vacuum levels(-kPa)

Model	-kPa	Air supply pressure	0	10	20	30	40	50	60	70	80	90	Max.vacuum level
ABX5	-92kPa	4.5bar	30	13	7.5	7	6	5	4	3.2	1.8	0.4	-92kPa
ABX10			52	24	18	15	13	10.5	8	6	2.5	0.8	
ABX20			100	46	34	30.5	25	21	17	10.5	5	1.6	
ABX30			180	95	55	45.5	40.5	30.5	25	19	11.5	3	

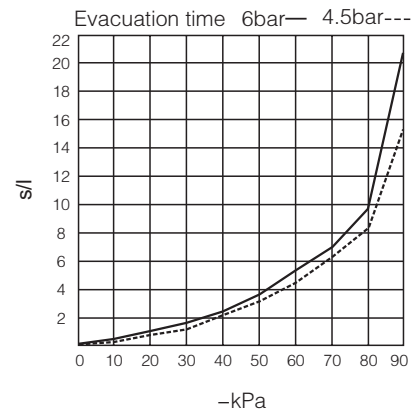
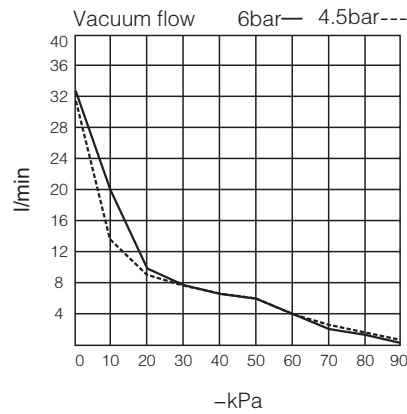
Model	-kPa	Air supply pressure	0	10	20	30	40	50	60	70	80	90	Max.vacuum level
ABX5	-93kPa	6bar	32	20	8.5	7.5	6	5	4	3	1.5	0.15	-93kPa
ABX10			63	36	18	16	12.5	10.5	8.5	6	3.5	0.5	
ABX20			125	73	35	30	25	22	18	12	7	0.9	
ABX30			185	103	51	46	38	31	25	19	12	1.8	

### Evacuation time(s/l)to reach different vacuum levels(-kPa)

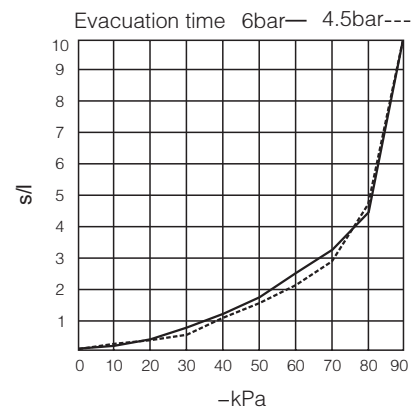
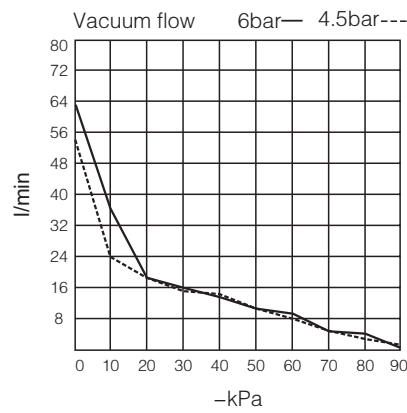
Model	-kPa	Air supply pressure	10	20	30	40	50	60	70	80	90
ABX5	-92kPa	4.5bar	0.13	0.6	1.26	2.3	3.2	4.5	6.15	8.5	15.5
ABX10			0.11	0.3	0.65	1.1	1.55	2.15	2.85	4.7	10.2
ABX20			0.09	0.16	0.32	0.55	0.8	1.5	1.8	2.7	5
ABX30			0.06	0.12	0.23	0.36	0.53	0.76	1.1	1.6	2.9

Model	-kPa	Air supply pressure	10	20	30	40	50	60	70	80	90
ABX5	-93kPa	6bar	0.15	0.71	1.52	2.54	3.72	5.12	6.95	9.7	21
ABX10			0.09	0.32	0.71	1.18	1.74	2.4	3.26	4.55	10.2
ABX20			0.046	0.15	0.31	0.52	0.77	1.08	1.54	2.15	4.92
ABX30			0.025	0.123	0.23	0.38	0.58	0.82	1.11	1.54	3

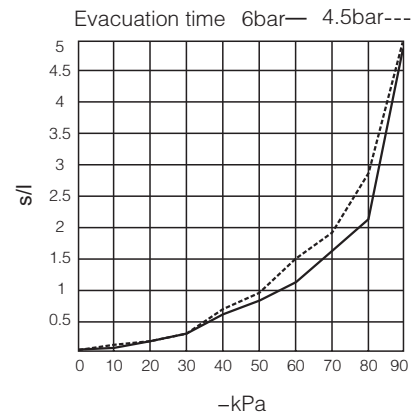
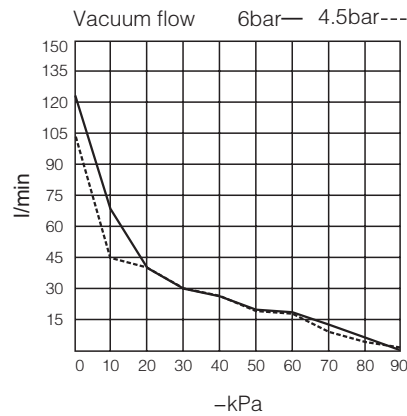
• ABX5



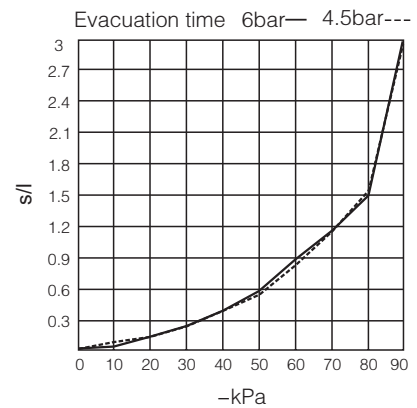
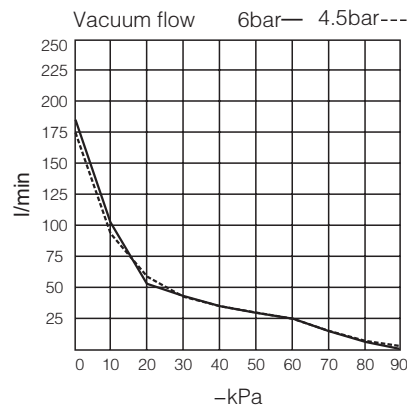
• ABX10



• ABX20

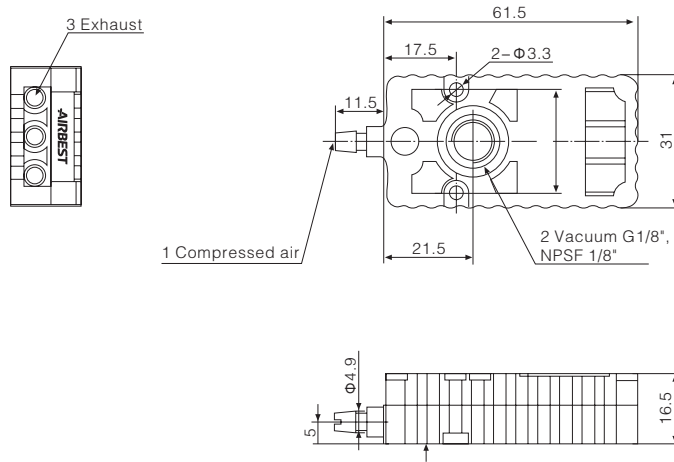


• ABX30

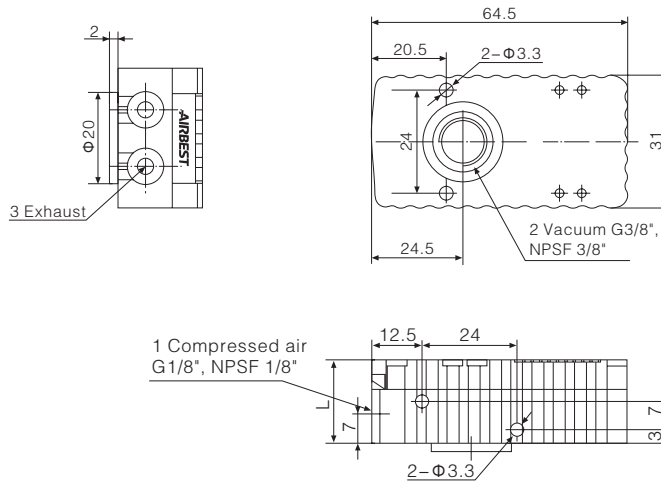


### Dimensions (mm)

5  
ABX(10)-A(NA)

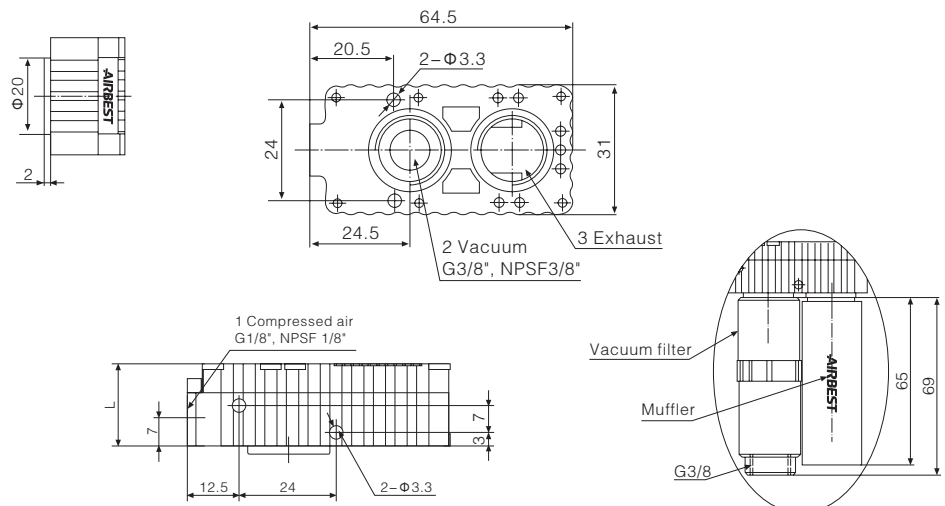


5 B  
ABX(10)-(BA)  
20 NB  
30 NBA



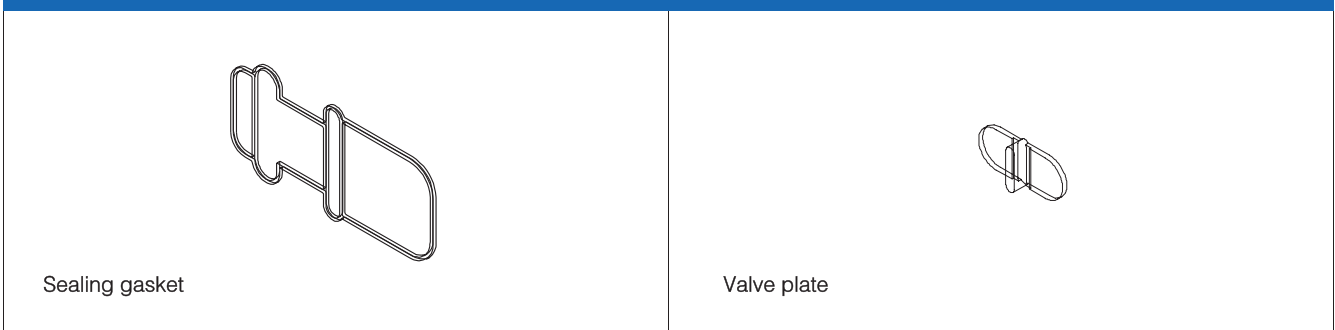
Model	L(mm)
ABX5	20.5
ABX10	20.5
ABX20	27.5
ABX30	35

5  
ABX(10)-C(NC)  
20  
30



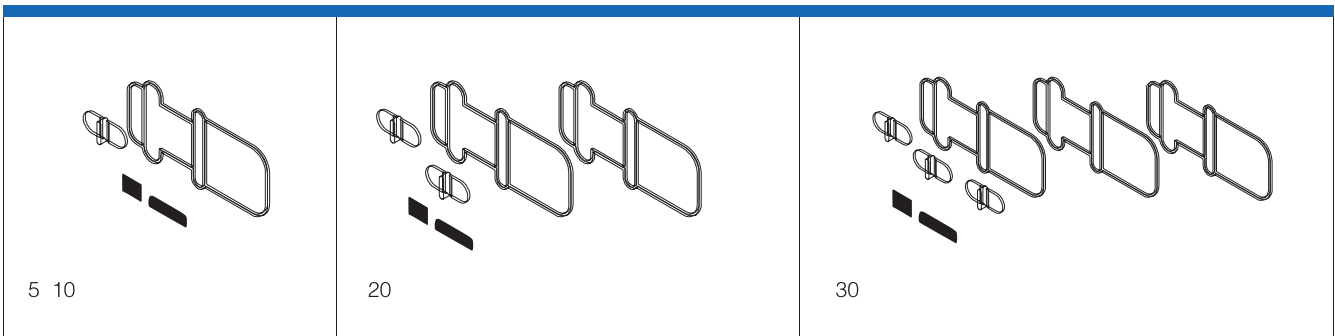
Model	L(mm)
ABX5	20.5
ABX10	20.5
ABX20	27.5
ABX30	35

## How to order(Sealing elements)



Specification	Sealing gasket	Valve plate
Standard(NBR)	02.0050.419	02.0050.421
VITON	02.0050.420	02.0050.422
EPDM	02.0050.465	02.0050.466

## Repair kits



Model	Ordering Code		
	NBR	VITON	EPDM
ABX5-A(B, C)	01.0005.402	01.0005.602	01.0005.802
ABX10-A(B, C)	01.0010.402	01.0010.602	01.0010.802
ABX20-B(C)	01.0020.404	01.0020.604	01.0020.804
ABX30-B(C)	01.0030.406	01.0030.606	01.0030.806