

Features

The vacuum pump has a straight through design, hence they are non-clogging and maintenance free, and it is particular for transferring particles, powders. High flow can be achieved with in line bore sizes up to 38mm.

Specifications

| | |
|-----------------------|--------------------|
| Max. vacuum level | -35kPa |
| Max. vacuum flow rate | 5610l/m |
| Air supply pressure | 4-6bar Max. 7bar |
| Air supply type | Dry Compressed air |



How to Order

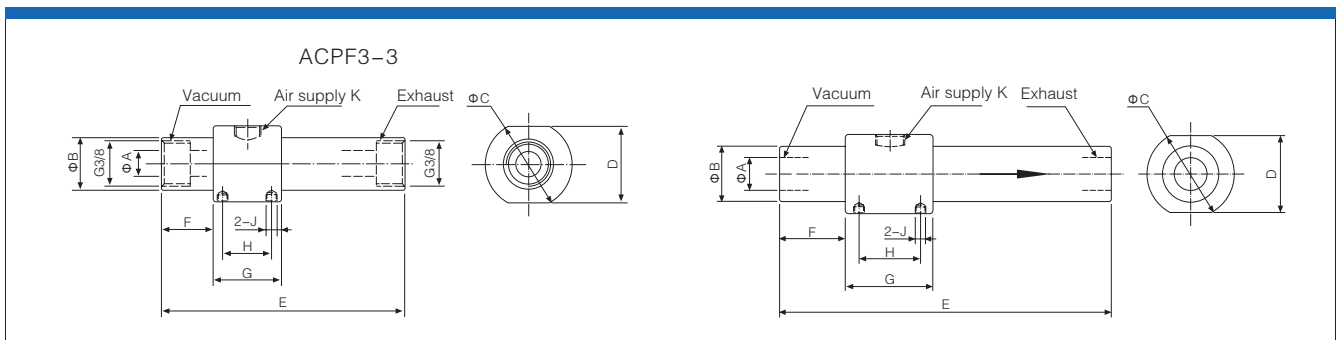
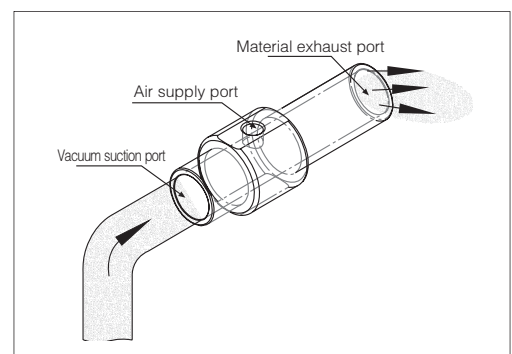
ACPF 2-3 – AL

① Model ② Material

| | | |
|-----|------|--------------------|
| 2-3 | 7-6 | AL-Aluminum |
| 3-3 | 15-3 | SS-Stainless steel |
| 5-6 | 15-6 | |

Applications

- ☆ Transferring materials
- ☆ Sledge removal in trimming operation
- ☆ Convey wheat, corn
- ☆ Transfer powder detergent and plastic powder
- ☆ Chip removal in drilling operation
- ☆ Powder removal in grinding operation



| Model | Dimension | | | | | | | | | |
|----------|-----------|------|----|----|-----|------|----|----|----|------|
| | ΦA | ΦB | ΦC | D | E | F | G | H | J | K |
| ACPF2-3 | 6.5 | 18.5 | 32 | 30 | 89 | 19 | 25 | 18 | M4 | G1/8 |
| ACPF3-3 | 9.5 | 18.5 | 32 | 30 | 89 | 19 | 25 | 18 | M4 | G1/8 |
| ACPF5-6 | 12.5 | 24 | 38 | 34 | 140 | 25.5 | 32 | 23 | M4 | G1/4 |
| ACPF7-6 | 19 | 32 | 50 | 45 | 190 | 38 | 50 | 35 | M6 | G3/8 |
| ACPF15-3 | 38 | 49.6 | 69 | 65 | 205 | 40 | 60 | 42 | M6 | G3/8 |
| ACPF15-6 | 38 | 49.6 | 69 | 65 | 205 | 40 | 60 | 42 | M6 | G3/8 |

ACPF Series Vacuum flow(L/m)、Vacuum level(-kPa)、Air Consumption(L/m)

| Model | Air velocity | Vacuum flow | Vacuum level | Air consumption(l/m) | |
|----------|--------------|-------------|--------------|----------------------|--------|
| | ft/s | l/m | -kPa | 2.8bar | 5.5bar |
| ACPF2-3 | 485 | 295 | 26 | 85 | 160 |
| ACPF3-3 | 328 | 425 | 16 | 95 | 170 |
| ACPF5-6 | 361 | 870 | 35 | 395 | 680 |
| ACPF7-6 | 325 | 1825 | 28 | 790 | 1365 |
| ACPF15-3 | 223 | 4400 | 4.4 | 405 | 695 |
| ACPF15-6 | 270 | 5610 | 9 | 790 | 1365 |