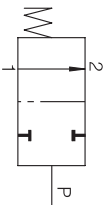


Features

☆2 position 2 way directional valve (normally open)with 1/8 and 1/4 air inlet realizes the opening and closure of air supply and energy saving through vacuum switch returns air signal. The small valve can control high flow compressed air.



How to Order

APL06 – D

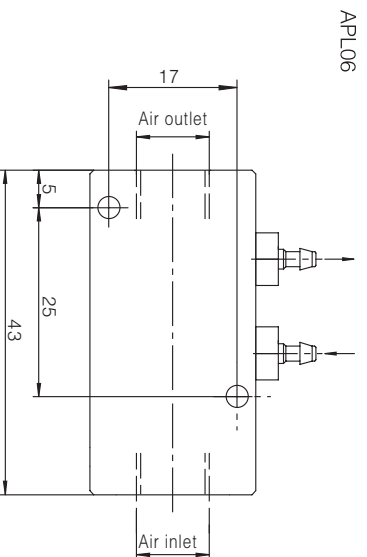
①Model	APL06	APL08		
②Function	B=NPT1/8 NPT1/4	D=NPSF1/8 NPSF1/4	G=G1/8 G1/4	



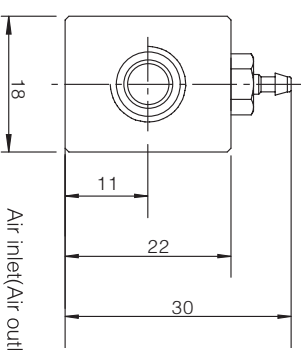
Specifications

Air supply pressure	2.5~7bar
Ambient temperature	0~60°C
Valve body material	Aluminum

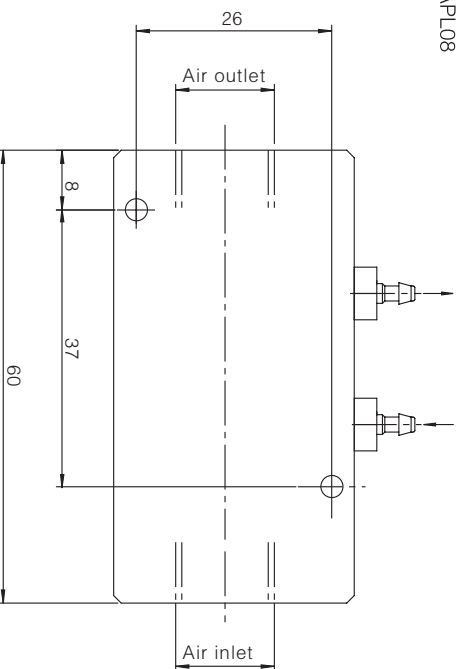
Dimensions (mm)



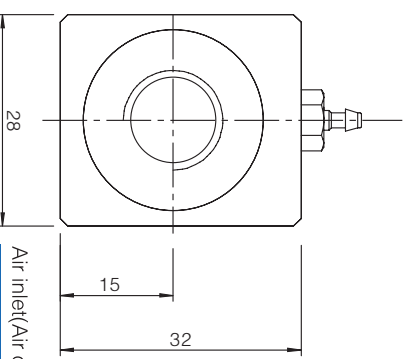
APL06



Air inlet(Air outlet)
B=NPT1/8
D=NPSF1/8
G=G1/8



APL08



Air inlet(Air outlet)
B=NPT1/4
D=NPSF1/4
G=G1/4