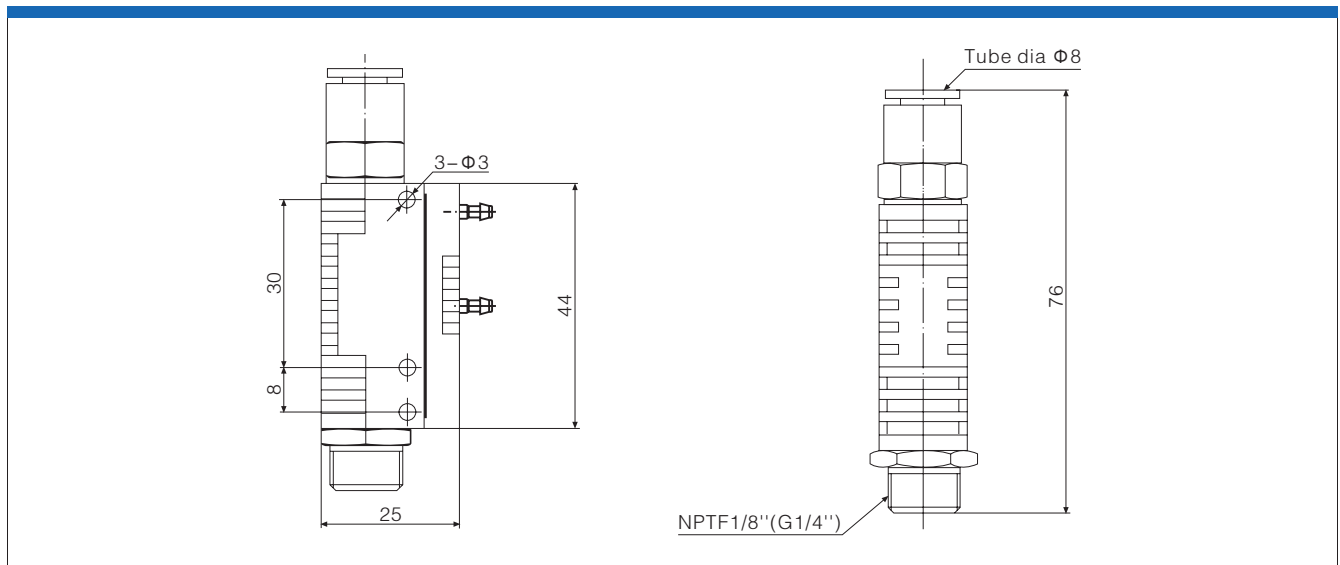




Specifications

| | | |
|---------------------|-----|-------------------|
| Air supply pressure | bar | 1-8 |
| Working temperature | °C | 0-60 |
| Control mode | | Pneumatic control |
| Action mode | | Normally open |
| Weight | g | 55 |

Dimensions (mm)



Energy saving system(ES)

The control valve (APS-8) works together with vacuum switch(AVS).The vacuum switch provides air control signal to open and close the control valve.It will save energy.

