

How to Order

AVS - 212

①

②

① Model

| |
|-----|
| AVS |
|-----|

② Function

| |
|---------------------|
| 212-Normally closed |
| 213-Normally open |



| Function | Adjustable |
|----------------------|------------|
| NC (normally closed) | |
| NO (normally open) | |

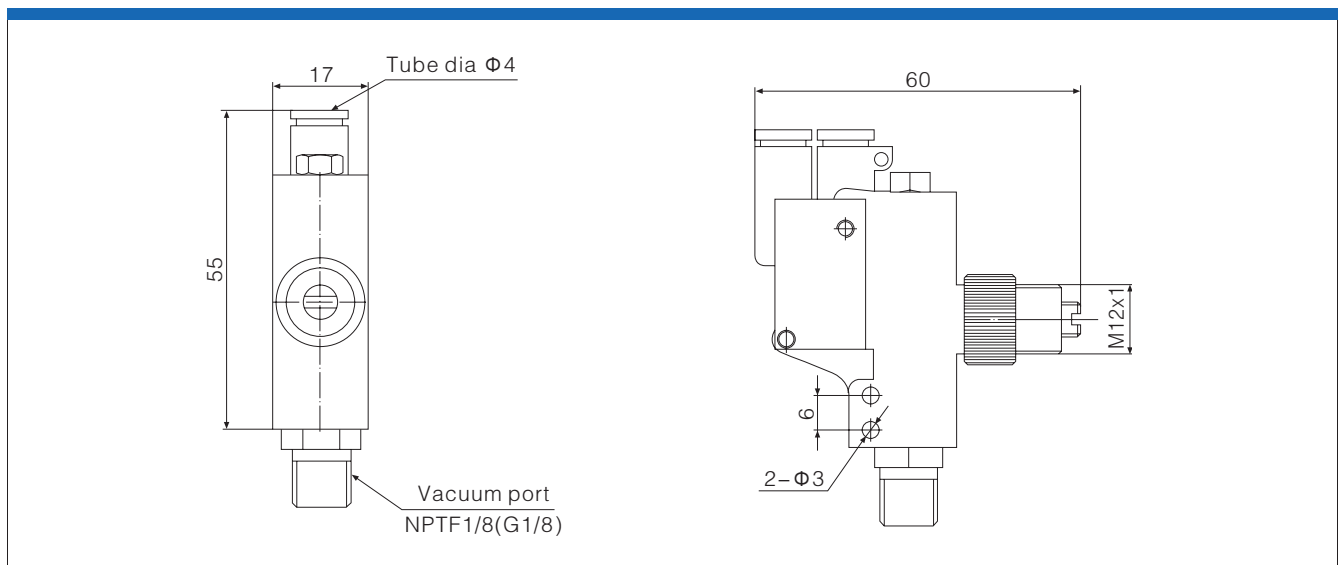
Features

- ☆ The vacuum switch converts vacuum signal into pneumatic signal.
- ☆ The different vacuum range can be set by the adjusting screw on the valve.
- ☆ There are two different functional valves: normally open valve and normally closed valve.

Specifications

| Model | AVS-212 | AVS-213 |
|--------------------|---------------------|-------------------|
| Output function | NC(Normally closed) | NO(Normally open) |
| Pressure(bar) | 1.5~8 | |
| Signal range(-kPa) | 15~95 | 10~95 |
| Hysteresis(kPa) | 12 | 3 |
| Temperature(°C) | -10~+60°C | |
| Weight(g) | 44 | |
| Vacuum connection | NPTF1/8 | G1/8 |

Dimensions (mm)



Vacuum Accessories

AVS

APS-8

APL

APE

RL5

RL6

ABS

AB168