

Features

- ☆ Adopt 2 fluctuation overlap 3 levels rise pressure pipe, the flow rate saving and vacuum flow rate is 2 times of AZL112
- ☆ Can be with vacuum pressure switch
- ☆ Built-in silencer
- ☆ Can be installed at 2 directions(bottom,side)



How to Order

AZL 2 **12** □ □ □
① ② ③ ④

① Nozzle diameter

12	Φ 1.2mm
----	---------

② Exhaust specifications

Nil	Built-in silencer
P	Port exhaust

③ Vacuum pressure sensor

Nil	None
GN	Adaptor Rc1/8

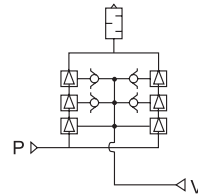
④ Digital vacuum pressure switch specifications RL5

RL5C(-100~100kPa)		
RL5C-02	NPN Output	Lead wire Length 2m
RL5C-04	PNP Output	Lead wire Length 2m
RL5V(0~-100kPa)		
RL5V-02	NPN Output	Lead wire Length 2m
RL5V-04	PNP Output	Lead wire Length 2m

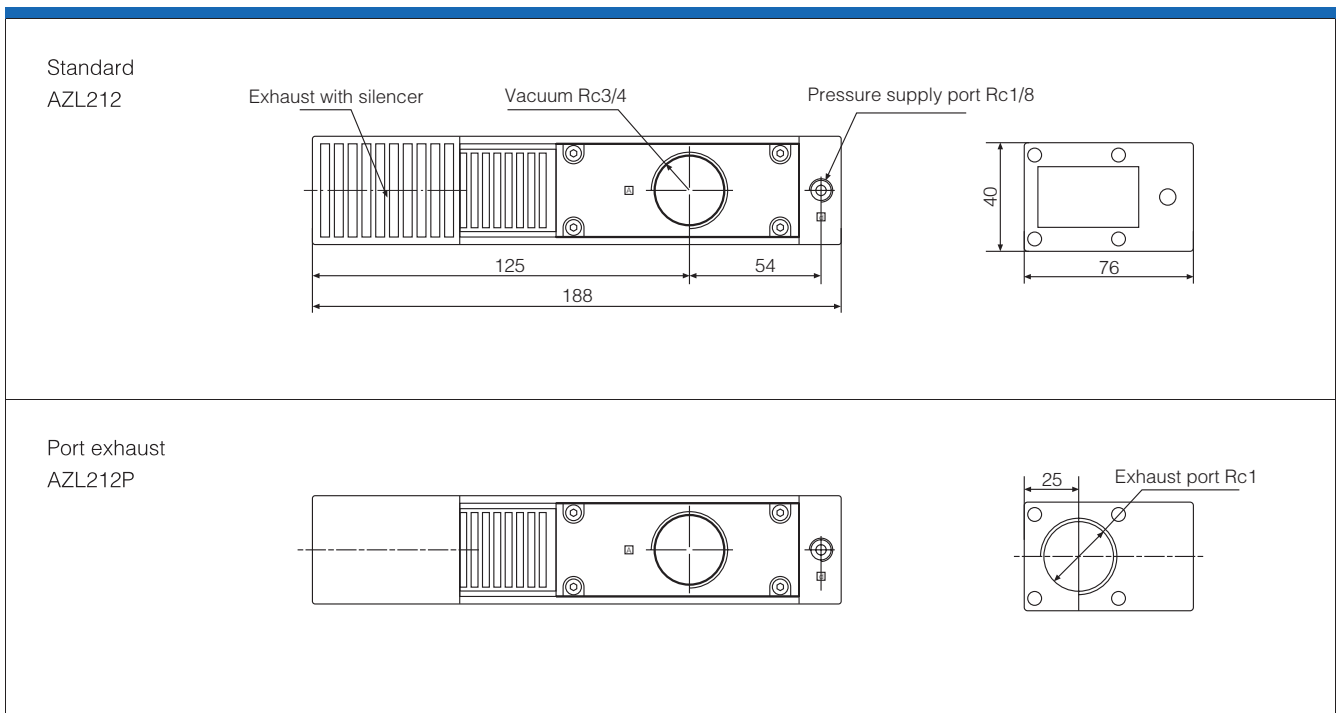
Specifications

Nozzle diameter	Φ 1.2mm × 2
Max.vacuum flow rate	200l/min
Air consumption	126l/min
Max.vacuum pressure	-84kPa
Max.operating pressure	7bar
Supply pressure range	2~5bar
Standard supply pressure	4bar
Operating temperature range	5~50°C

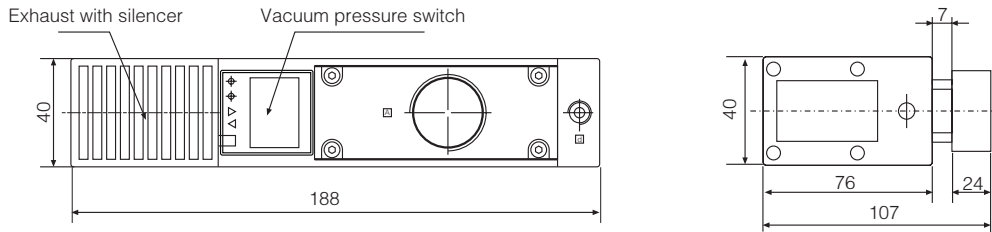
Symbol



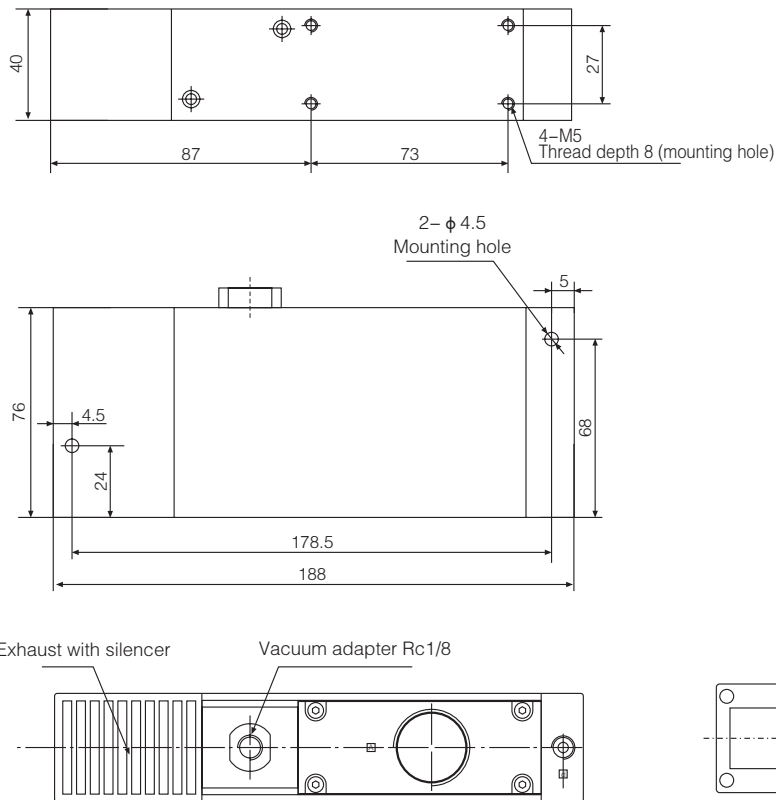
Dimensions (mm)



With digital vacuum pressure switch
AZL212-GN-RL5



With vacuum adapter
AZL212-GN



ABM

ABX

ABM/ABX
Combined type

AM

AL

AH

AM
Combined type

AL
Combined type

AH
Combined type

AZL 112

AZL212

ACP

ACPF

ACV

AZH

AZU

ASBP

• AZL212

Vacuum flow(l/min)at different vacuum levels(-kPa)

Air supply pressure bar	Air consumption l/min	Vacuum flow (l/min) at different vacuum levels(-kPa)									Max.vacuum level -kPa
		0	10	20	30	40	50	60	70	80	
4	125	200	150	52	40	30	25	15	8	3	84

Evacuation time(s/l)to reach different vacuum levels(-kPa)

Air supply pressure bar	Air consumption l/min	Evacuation time (s/l) to reach different vacuum levels(-kPa)								Max.vacuum level -kPa
		10	20	30	40	50	60	70	80	
4	125	0.011	0.076	0.246	0.415	0.646	0.98	1.52	2.46	84

