

Features

- ☆ 3 Colors Display, 3 Display Section.
- ☆ Unit Setting Available.
- ☆ When setting the pressure unit, it will display on the units–display section.
- ☆ The parameter of setting pressure can display on the sub–display section.
- ☆ Key Lock Indicator.
- ☆ RoHs Directive Compliant.



Technical Parameters

Model		RL5C (Compound)	RL5V (Vacuum)	RL5P (Positive)
Rated pressure range		-100.0~100.0 kPa	0.0~-101.3 kPa	0.000~1.000 MPa
Setting pressure range		-101.0~101.0kPa	10.0~-101.3kPa	-0.100~1.000 MPa
Withstand pressure		300 kPa		1.5MPa
Fluid		Air, Non-corrosive gases, incombustible gases		
Set pressure resolution	kPa	0.1		-
	MPa	-		0.001
	kgf/cm ²	0.001		0.01
	bar	0.001		0.01
	psi	0.01		0.1
	InHg	0.1		-
	mmHg	1		-
Power supply voltage		12~24VDC ± 10% Ripple (P-P) 10% or less		
Current consumption		≤ 40mA (With no load)		
Switch output		2 NPN open collector Max.load current: 125mA Max.supply voltage: 30VDC Residual voltage: ≤ 1.5V (load current 125mA)	2 PNP open collector Max.load current: 125mA Max.supply voltage: 24VDC Residual voltage: ≤ 1.5V (load current 125mA)	
Repeatability(Switch output)		± 0.2% F.S. ± 1digit		
Hysteresis	Hysteresis mode	Adjustable		
	Window comparator mode			
Response time		≤ 2.5ms(chattering-proof function: 25ms, 100ms, 250ms, 500ms, 1000ms and 1500ms selections)		
Output short circuit protection		Yes		
7 segment LCD display		Three colors (Red/Green/Orange)main&unit display, orange sub–display (Sampling rate: 5times/1sec.)		
Indicator accuracy		≤ ± 2% F.S. ± 1digit(ambient temperature: 25 ± 3°C)		
Switch ON Indicator		Orange 1 & 2 Indicator		
Analog output(Voltage Output)(*1)		Output Voltage: 1~5V ≤ ± 2.5% F.S.(within rated pressure range) Linearity: ≤ ± 1% F.S. Output impedance: about 1kΩ		
Analog output(Current Output)(*2)		Output Current: 4~20mA ≤ ± 2.5% F.S.(within rated pressure range) Linearity: ≤ ± 1% F.S. Max.Load Impedance: 300Ω at power supply of 12V 600Ω at power supply of 24V Min.Load impedance: 50Ω		
Environment	Enclosure	IP40		
	Ambient temp.range	Operation: 0~50°C, Storage: -10~60°C(No condensation or freezing)		
	Ambient humidity range	Operation/Storage: 35~85% RH(No condensation)		
	Withstand voltage	1000VAC in 1–min(between case and lead wire)		
	Insulation resistance	50Mohm min.(at 500VDC, between case and lead wire)		
	Vibration	Total amplitude 1.5mm, 10Hz~55Hz~10Hz scan for 1 minute, two hours each direction of X, Y and Z		
	Shock	100m/s ² (10G) 3 times each in direction of X, Y and Z		
Temperature characteristic		≤ ± 2% F.S.of detected pressure(25°C) at temp.Range of 0~50°C		
Port size		F1: 1/8" PT, M5; F2: 1/8" NPT, 10-32UNF; F3: G1/8", M5		
Lead wire		Oil-resistance cable(0.15mm ²)		
Weight		Approx*80g(with 2–meter lead wire), Approx*45g(with male connector)		

*1: If analog voltage output is selected, the analog current output cannot be selected at the same time.

*2: If analog current output is selected, the analog voltage output cannot be selected at the same time.

How to Order

RL5C – 02 – F1 – – J

① ② ③ ④ ⑤

① Pressure Range

C	Compound(-101~101kPa)
V	Vacuum(0~-101.3kPa)
P	Positive(-0.100~1.000MPa)

② Output Specifications

010	1NPN Output & 1Analog Output(1-5V)
011	1NPN Output&1Analog Output(4-20mA)
02	2NPN Output
030	1PNP Output&1Analog Output(1-5V)
031	1PNP Output&1Analog Output(4-20mA)
04	2PNP Output

③ Pressure port

F1	1/8"PT,M5
F2	1/8"NPT,10-32 UNF
F3	G1/8",M5

④ Cable Length/Connector

Blank	With 2 meter cable
QD	With M8,4 Pin male connector

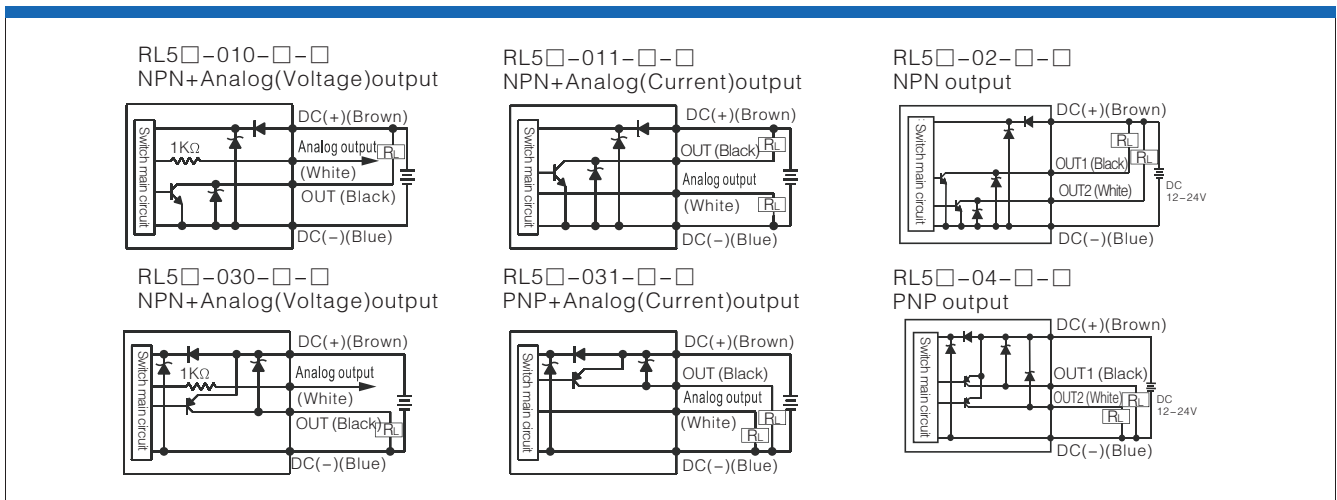
⑤ Pressure Unit

Blank	Unit changeable
J	Unit unchangeable(Fixed unit is Kpa)

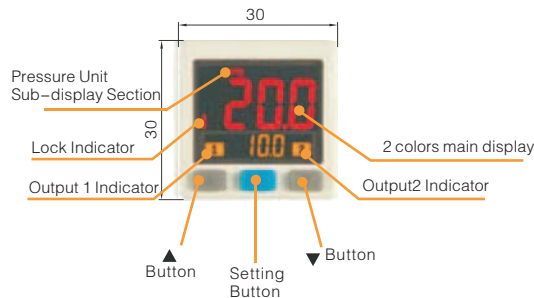
Option part

M84R-W0085-2M: M8,4 Pin female connector
 RL5-A: Mounting bracket(BT-3+BT-4)
 RL5-B: Panel adapter(PA-3+PA-4)
 RL5-C: Panel adapter+Front protective lid (PA-3+PA-4+FPC-2)

Output circuit wiring diagrams



Panel instructions

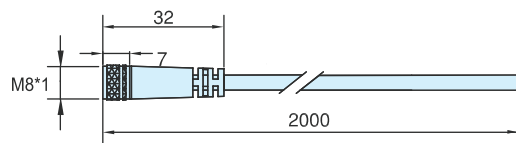


Unit: mm

Optional spare parts dimensions

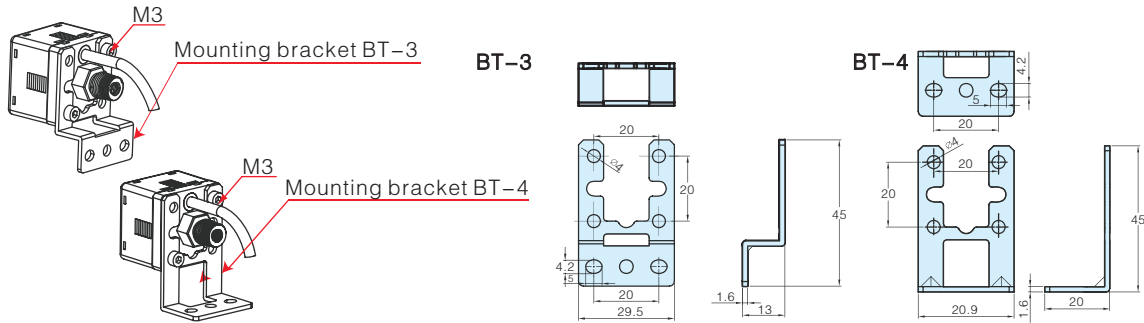
1.M8 Female Connector

Model: M84R-W0085-2M



Unit: mm

2. Mounting Bracket



3. Panel mount adapter

