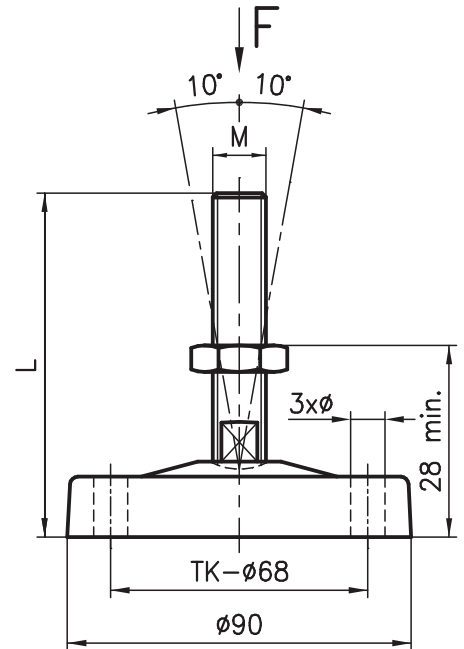
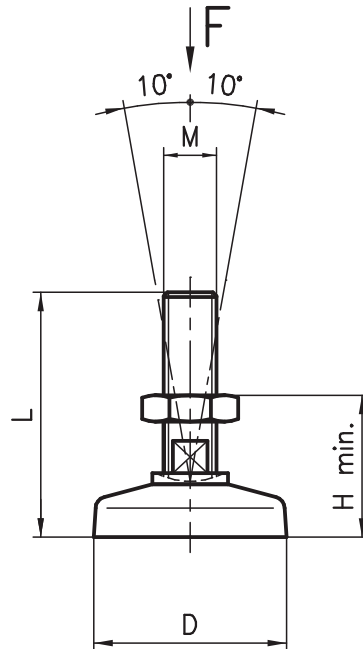
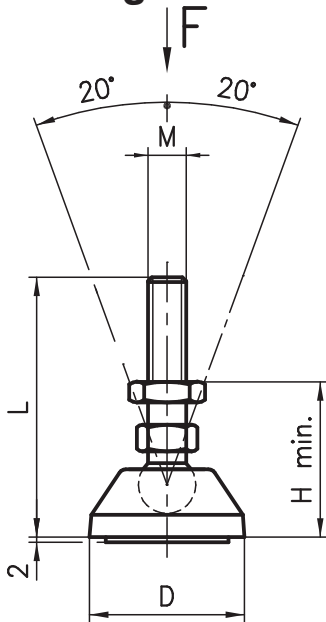


Levelling feet



Application

Cup: glass-filled Polyamide (PA-GF) black
 Bolt/locknut: 8.8 steel, zinc-coated
 Anti-slide pad: NBR rubber



Order data		Order number	
MxL	D H F		
M6x57	19 25 500 N	B43-02	
M10x75	29 30 2000 N	B43-10	
M10x75	39 30 3000 N	B43-11	
M10x75	49 30 3000 N	B43-12	
M16x155	39 40 8000 N	B43-16	

Other dimensions or special feet are available on demand.

Application

These continuously variable levelling feet are used for many different applications. The cup is attached in such a way as to compensate for uneven floors.

Specification

Cup: PA-GF black
 Bolt/locknut: 8.8 steel, zinc-coated



Order data		Order number	
MxL	D H F		
M10x70	50 30 2500 N	B42-50	
M10x122	50 30 2500 N	B42-00	
M14x65	50 25 3000 N	B42-54	
M14x115	50 25 3000 N	B42-14	
M16x65	50 25 3500 N	B44-50	
M16x115	50 25 3500 N	B44-00	

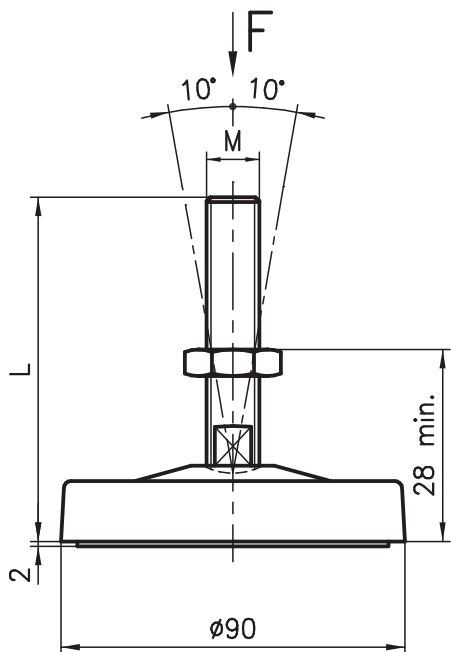
Specification

Cup: PA-GF black or aluminium
 bolt : 8.8 steel, zinc-coated



Order data		Order number	
MxL	Ø F	PA-GF	Aluminium
M14x70	9 4000 N	B45-54	
M14x120	9 4000 N	B45-14	
M16x70	9 5000 N	B45-50	
M16x120	9 5000 N	B45-00	
M14x70	9 8000 N		B45-55
M14x70	- 8000 N		B45-56
M14x120	9 8000 N		B45-03
M14x120	- 8000 N		B45-04
M16x70	9 10'000 N		B45-51
M16x70	- 10'000 N		B45-52
M16x120	9 10'000 N		B45-01
M16x120	- 10'000 N		B45-02

Levelling feet with shock absorbers



Application

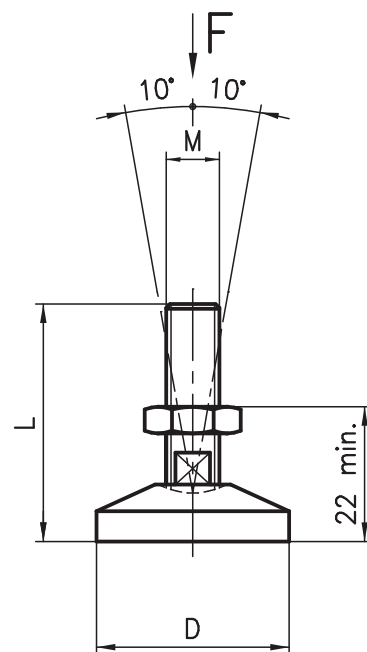
The aluminium levelling foot is available with a special shock absorber insert. This ensures that vibrating structures sit securely on the floor.

Specification

Cup: aluminium
 Roundel: \varnothing 80x18
 Multi-layer, non-slip, vibration-absorbent, composite structure.
 Bolt: 8.8 steel, zinc-coated

Order data		Order number
MxL	F	
M14x70	5000 N	B45-56-D
M14x120	5000 N	B45-04-D
M16x70	5000 N	B45-52-D
M16x120	5000 N	B45-02-D

Electrically conductive levelling feet



Application

It is essential to use these levelling feet in applications where electrostatic charges must be earthed. (See also PVS connectors with electrical bonding)

Specification

Cup: aluminium raw
 Bolt: aluminium raw

Order data		Order number	
MxL	D	F	
M14x65	30	3000 N	B42-54-P
M16x115	50	3500 N	B44-00-P
M16x115	30	3500 N	B44-54-P

