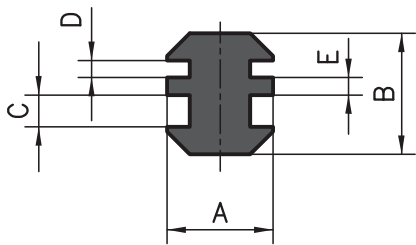
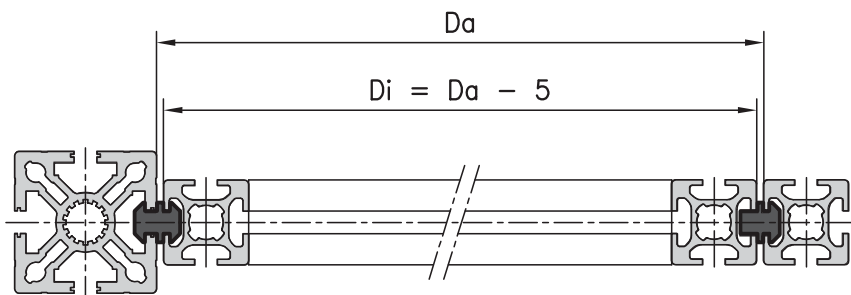


## Plastic slide extrusions



**Specification**  
 Black PE  
 Sliding friction coefficient: 0,2  
 Heat resistance to DIN 53461:  
 -250 °C to 100 °C  
 Indentation hardness to DIN 53456:  
 39N/mm<sup>2</sup>



**Measurement data**

Extrusion base	A	B	C	D	E
50/40	21	21	4.1	4.1	2.3
50/40-30/20	14	16	4.1	2.2	2.3
30/20	14	14	2.2	2.2	2.3

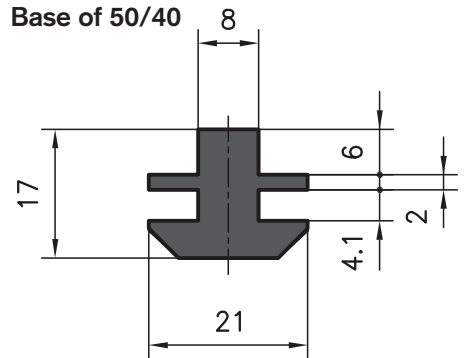
**Application**

Ideal for any shape of slide guide, for instance for sliding doors or drawer runners. Simply push the slide extrusion into the aluminium extrusion slots – you can create a perfect, hard-wearing guide as easily as that.

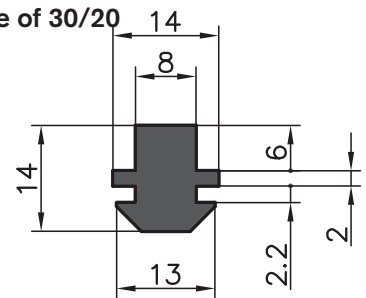
Make the inner frame 5 mm smaller than the inner width of the outer frame. It is also ideal for static extrusion assemblies.



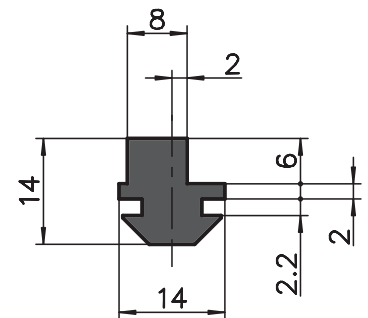
**Base of 50/40**



**Base of 30/20**



**Base of 30/20 with offset**

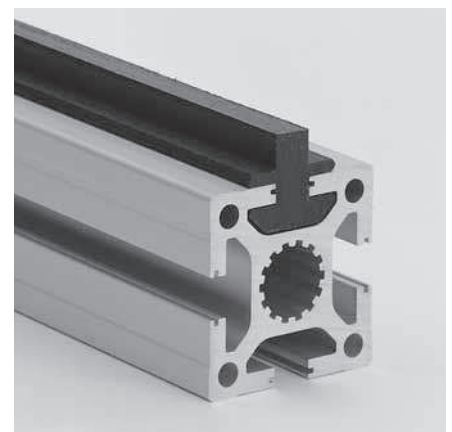


**Order data**      **Order number**

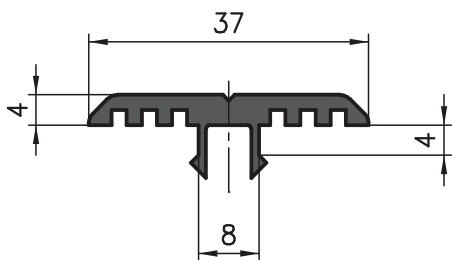
<b>Plastic slide extrusion</b>	<b>Base of 50 / 40</b>
Standard length 5000 mm	A39-00-00/5000
Cut to length	A39-00-02-02/ ...
<b>Plastic slide extrusion</b>	<b>Base of 50 / 40 - 30 / 20</b>
Standard length 5000 mm	AB39-00-00/5000
Cut to length	AB39-00-02-02/ ...
<b>Plastic slide extrusion</b>	<b>Base of 30 / 20</b>
Standard length 5000 mm	B39-00-00/5000
Cut to length	B39-00-02-02/ ...

**Order data**      **Order number**

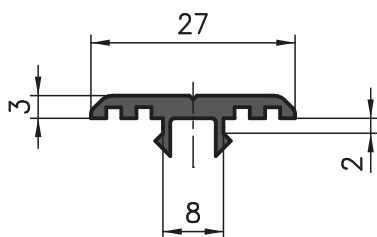
<b>Plastic slide extrusion</b>	<b>Base of 50/40</b>
Standard length 5000 mm	A39-05-00/5000
Cut to length	A39-05-02-02/...
<b>Plastic slide extrusion</b>	<b>Bases of 30/20</b>
Standard length 5000 mm	B39-05-00/5000
Cut to length	B39-05-02-02/...
<b>mit 2mm Versatz</b>	
Standard length 5000 mm	B39-02-00/5000
Cut to length	B39-02-02-02/...



**Base of 50/40**



**Base of 30**

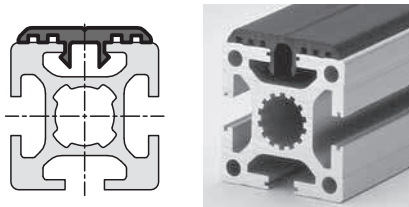


**Application**

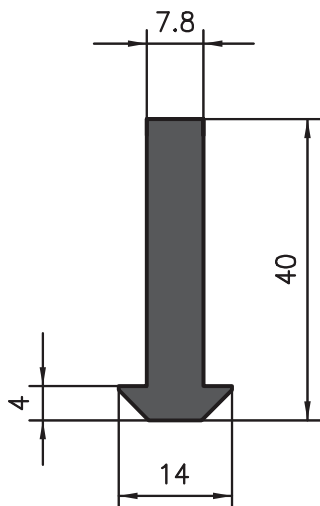
This slide extrusion is mounted on the extrusion, acting as a sliding carrier for goods or pallets. The slide extrusion can also be used as a protective strip.

**Specification**

PP with Talkum 30%, black



Order data	Order number
Plastic slide extrusion	Base of 50/40
Standard length 5000 mm	AC39-20-00/5000
Cut to length	AC39-20-02-02/...
Plastic slide extrusion	Base of 30
Standard length 5000 mm	B39-20-00/5000
Cut to length	B39-20-02-02/...

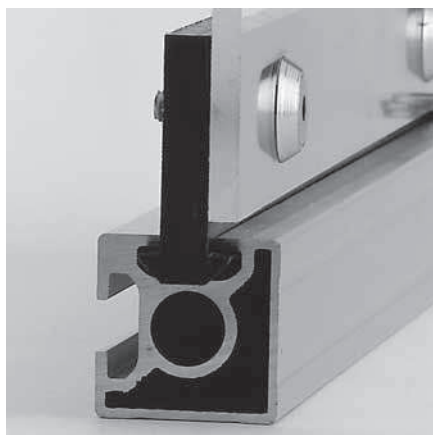


**Application**

For single sliding doors, suspended fittings, cable supports and many other uses. Fits all standard KANYA extrusions.

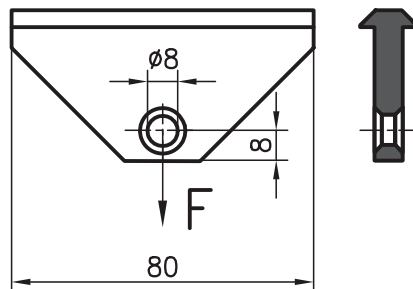
**Specification**

PE, black



Order data	Order number
Plastic slide extrusion	Base 50/40/30/20
Standard length 5000 mm	A69-0-00/5000
Plastic slide extrusion	
Cut to length	A69-0-02-02/...

**Sliding hook**



**Application**

The sliding hook is ideally suited for suspended tool applications or as a cable guide. It is simply pressed into the extrusion slot and moves freely. Other lengths of multiple-hole versions are available on request.

**Specification:**

Slider: PE, black  
 made from a plastic slide extrusion, A69-0-00  
 load-bearing capacity: F = 300 N  
 Spring hook: chromium-plated steel

Order data	Order number
No spring hook	A69-00
With a spring hook	A69-01